

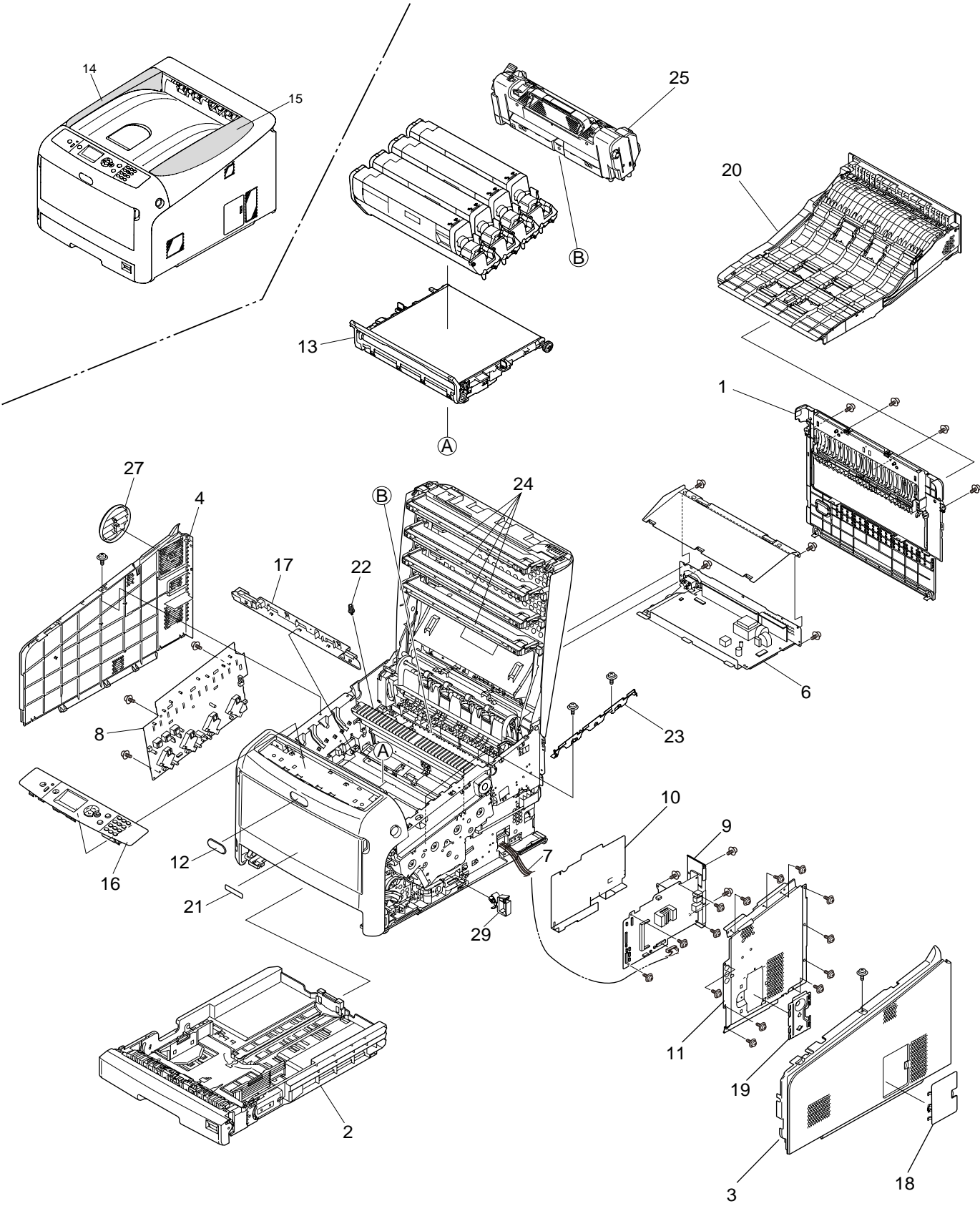
OEL Spare Parts Drawing

C822/C831/C841/
ES8431/ES8441

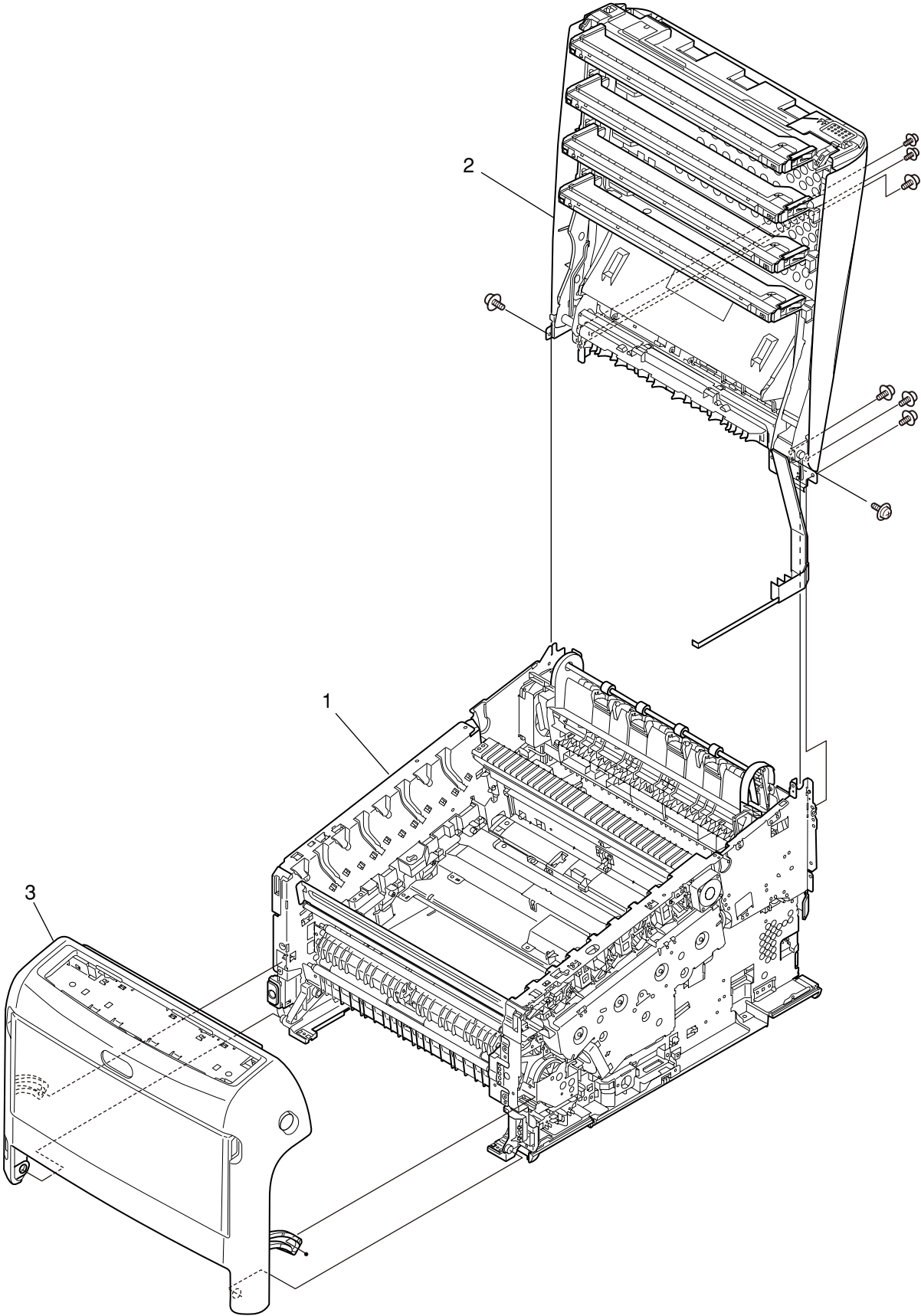


Revision 4

Printer-NIP-PX756



Printer-Unit(PX756)



Frame-Assy

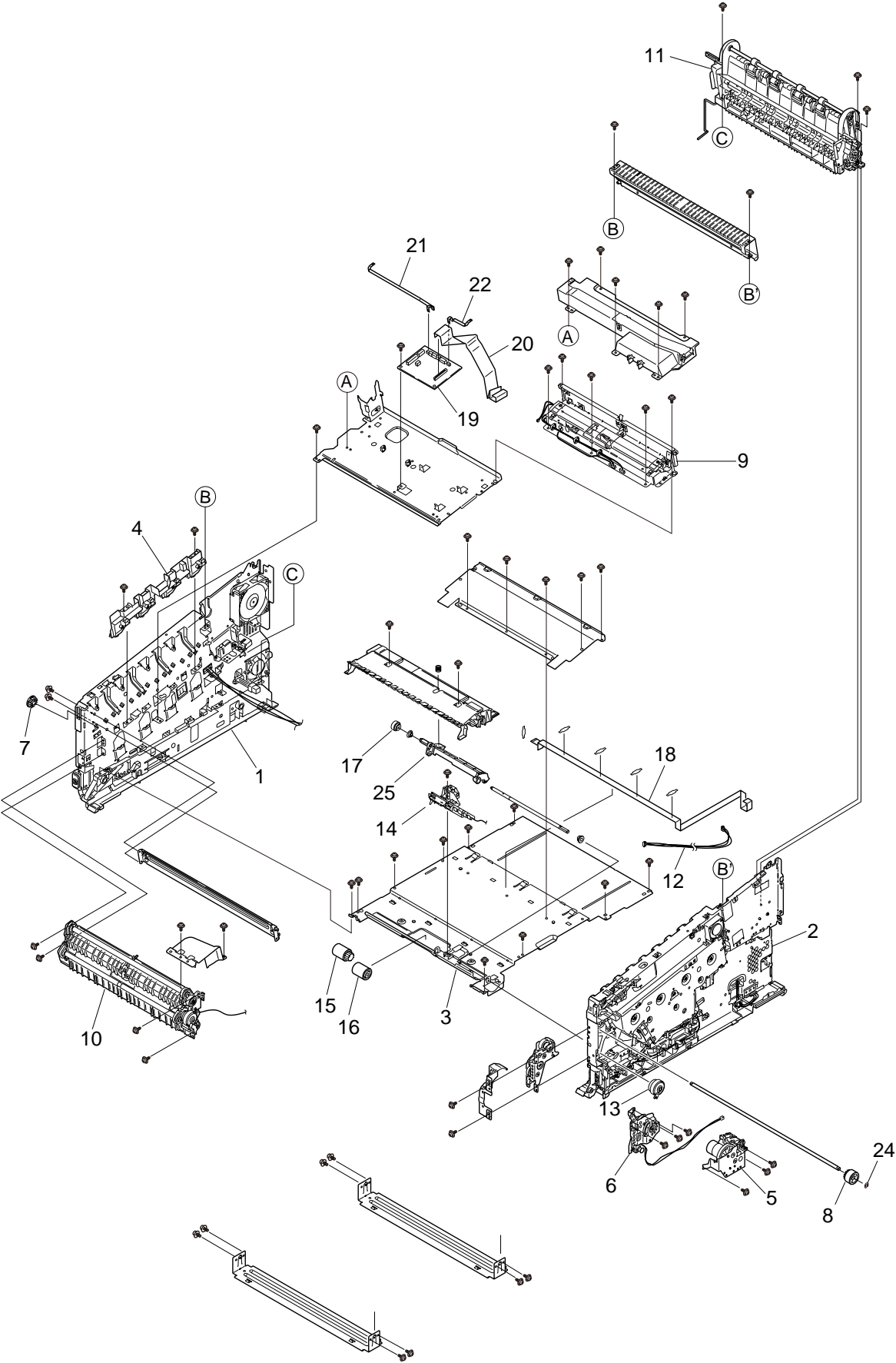


Plate-Assy-Side-L

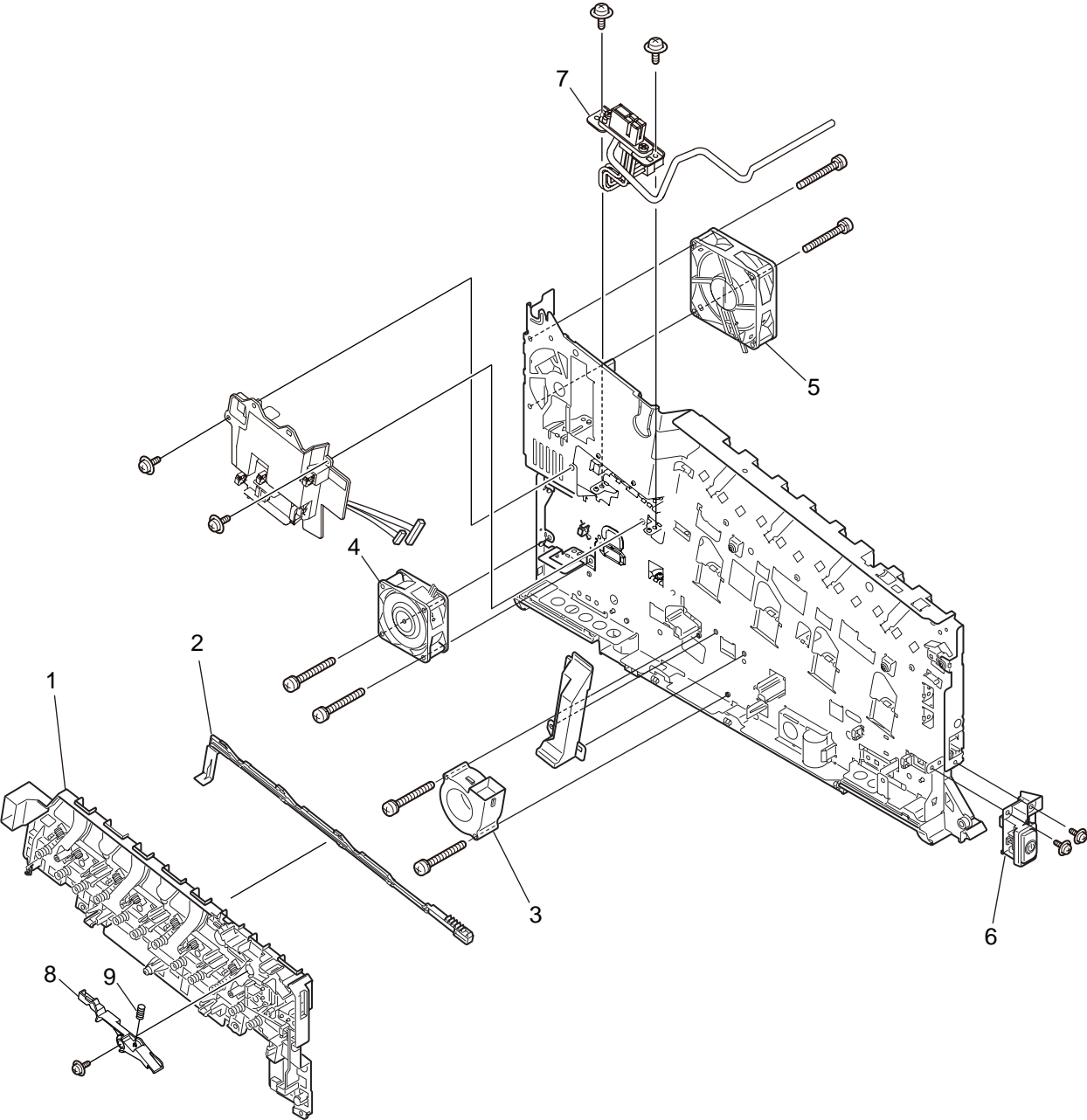
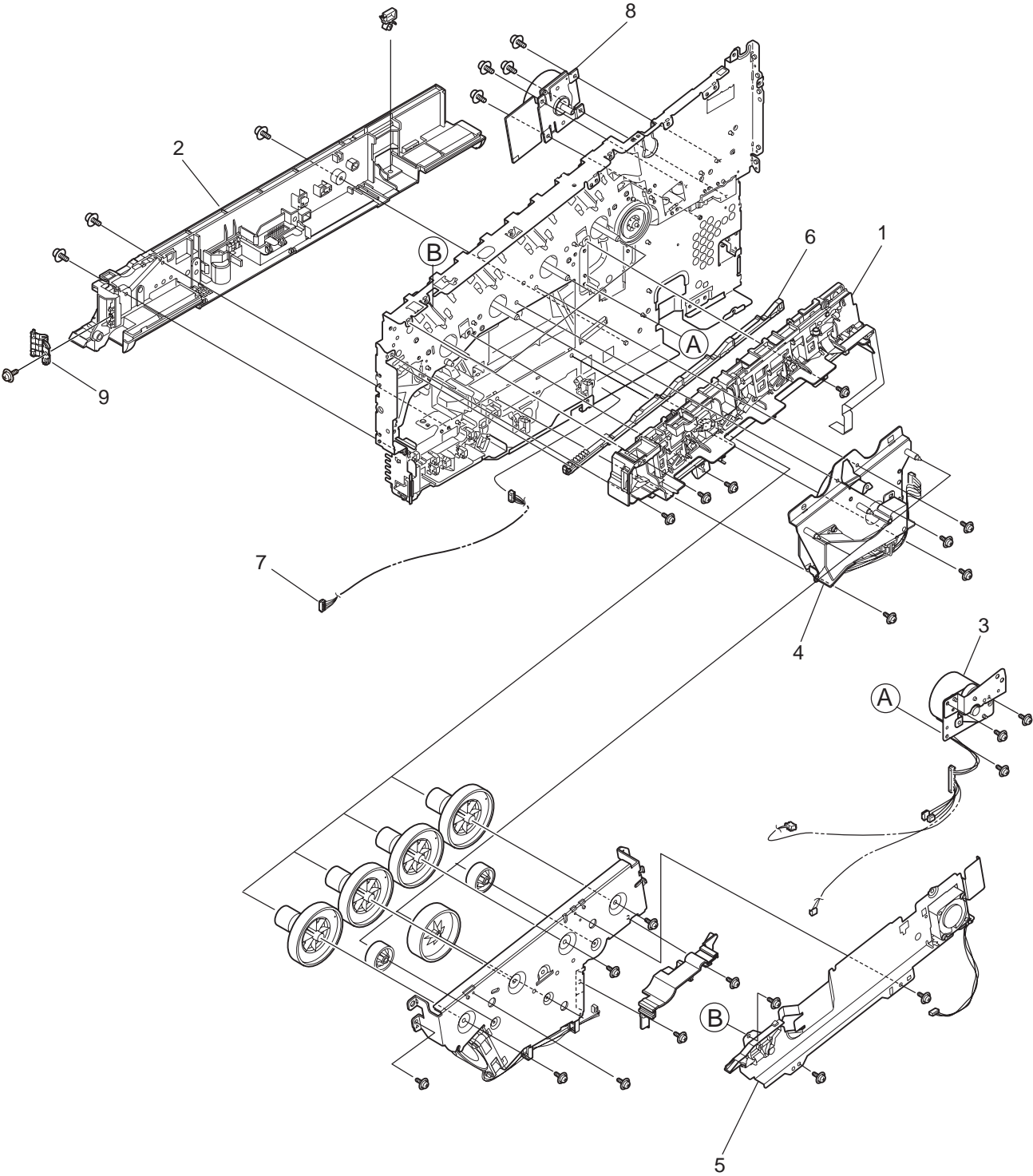
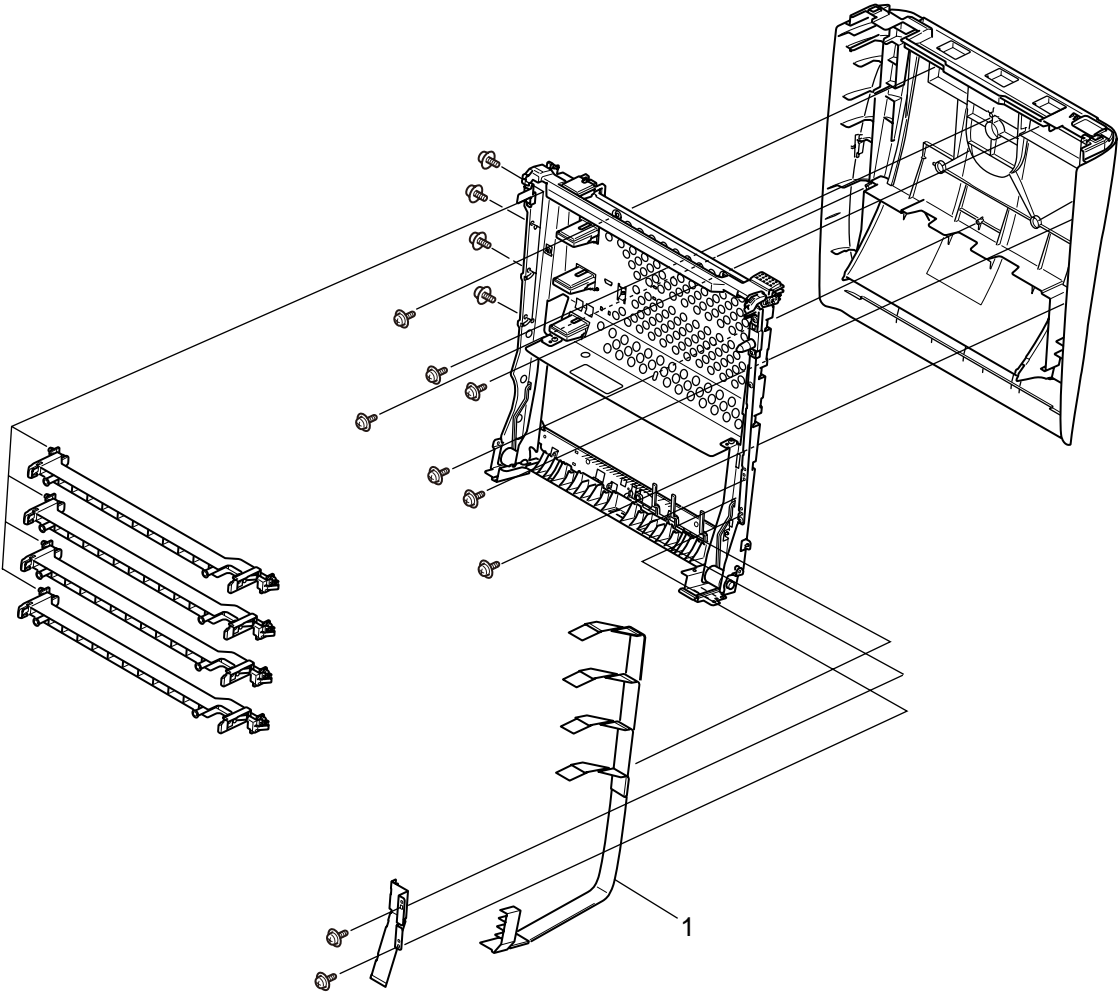


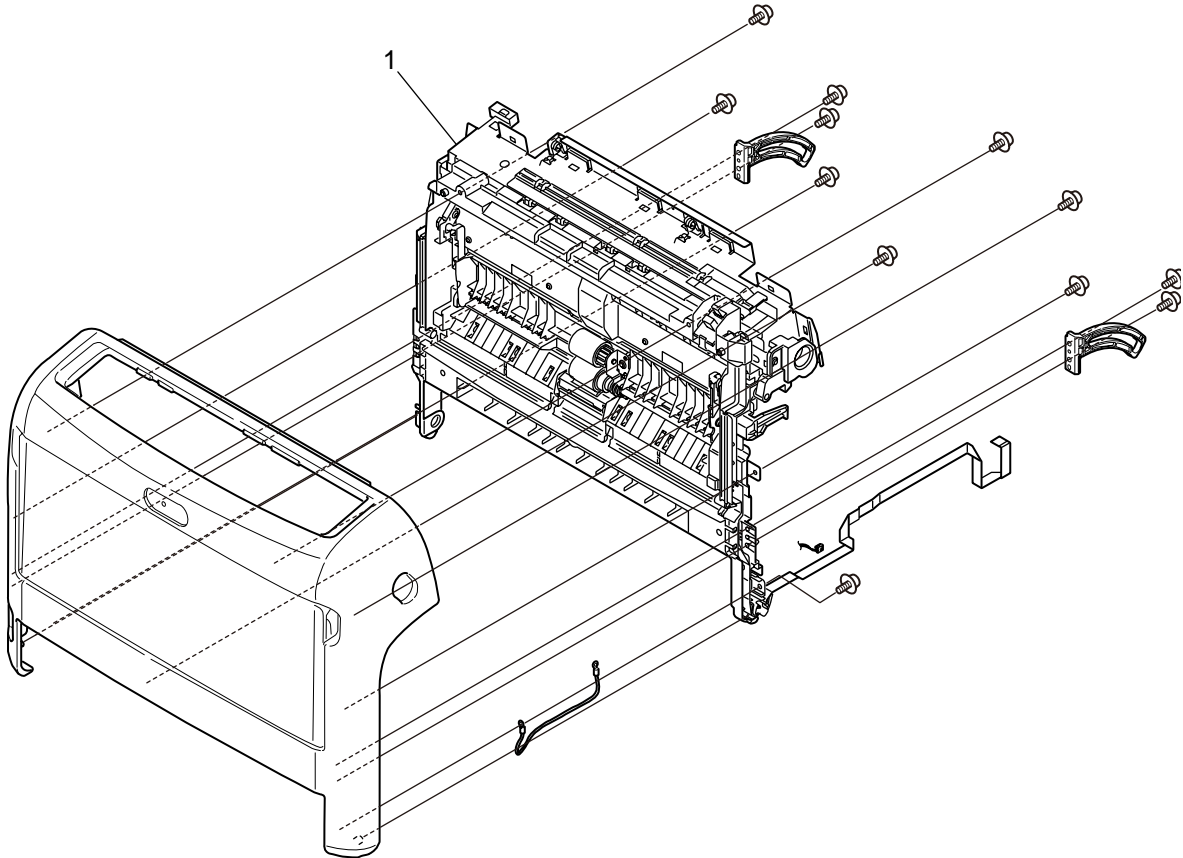
Plate-Assy-Side-R



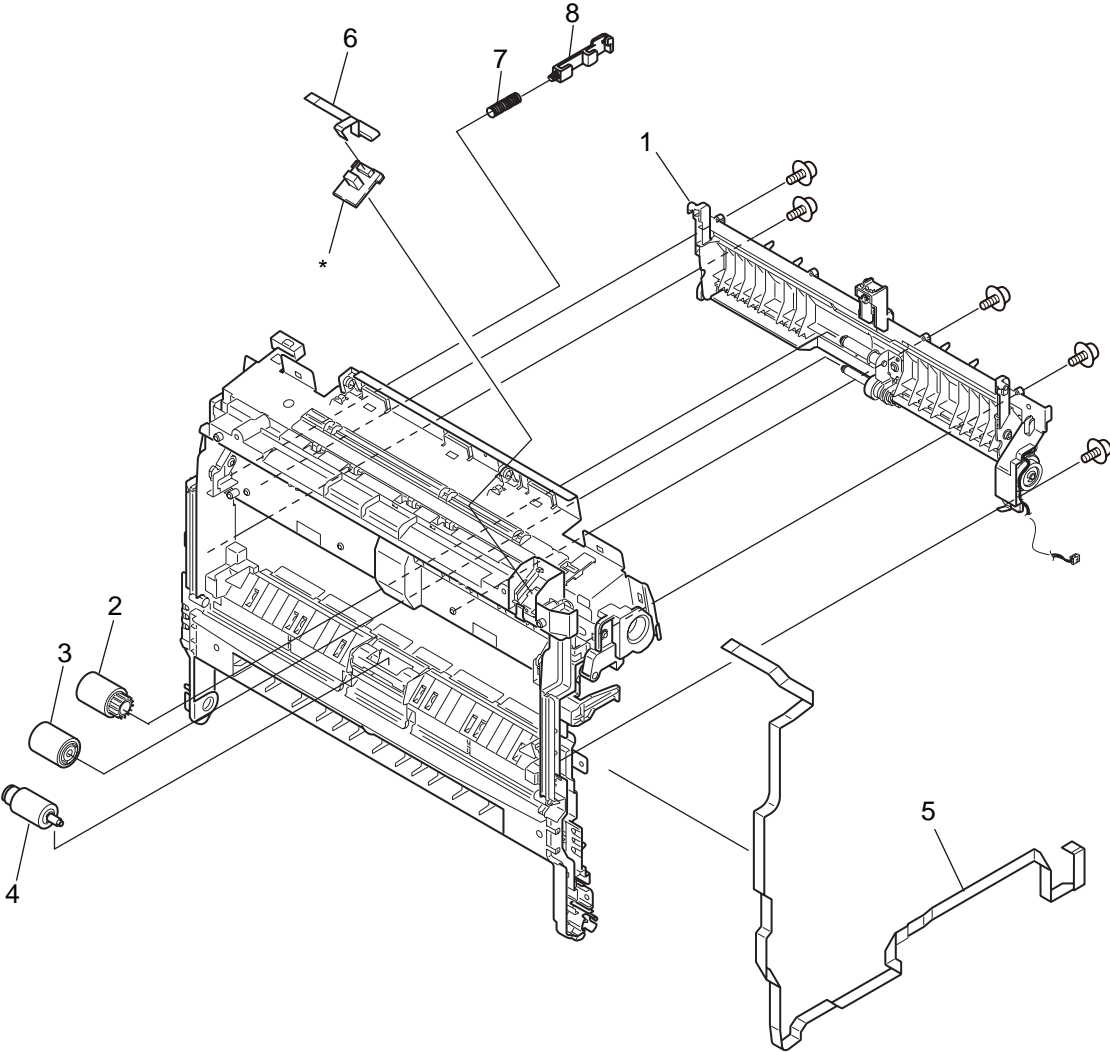
Cover Assy.-Top



Cover Assy.-Front

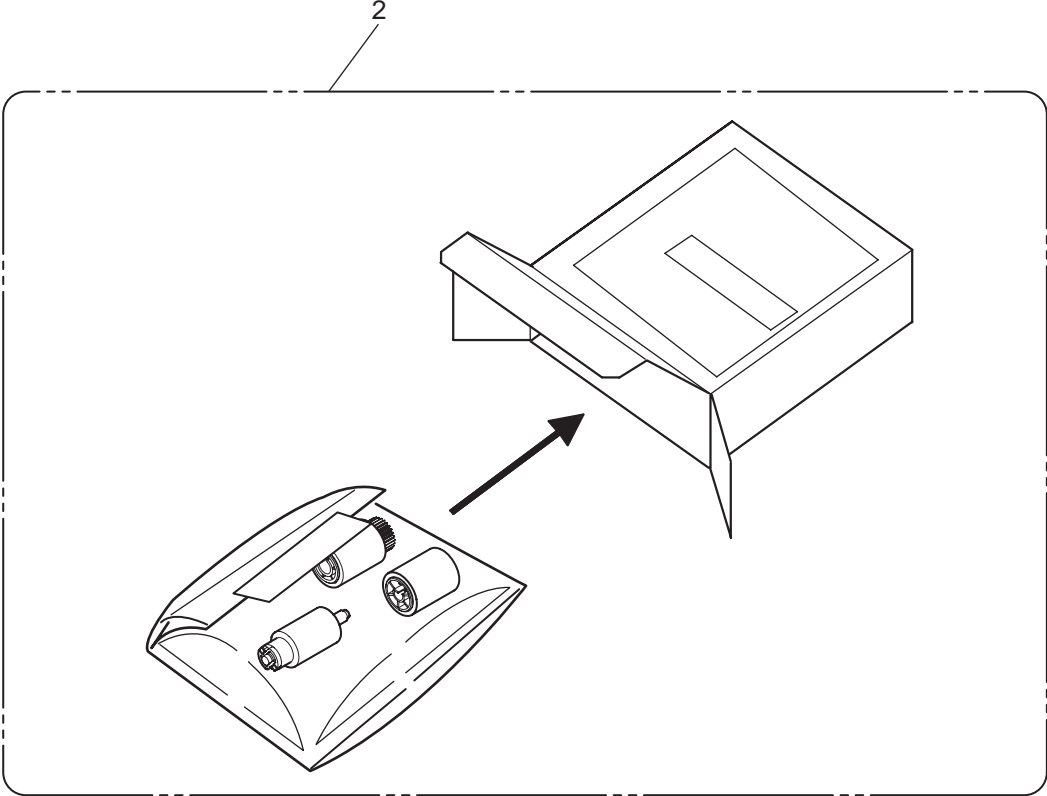
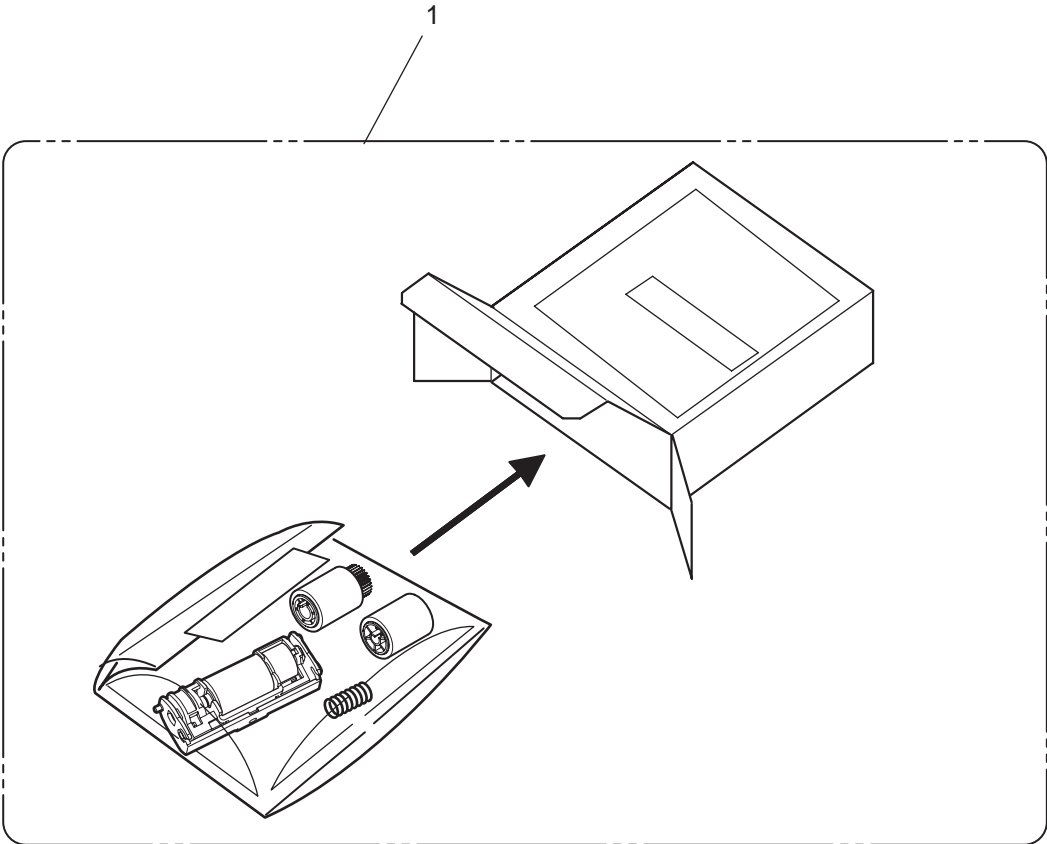


Frame Assy.-Front

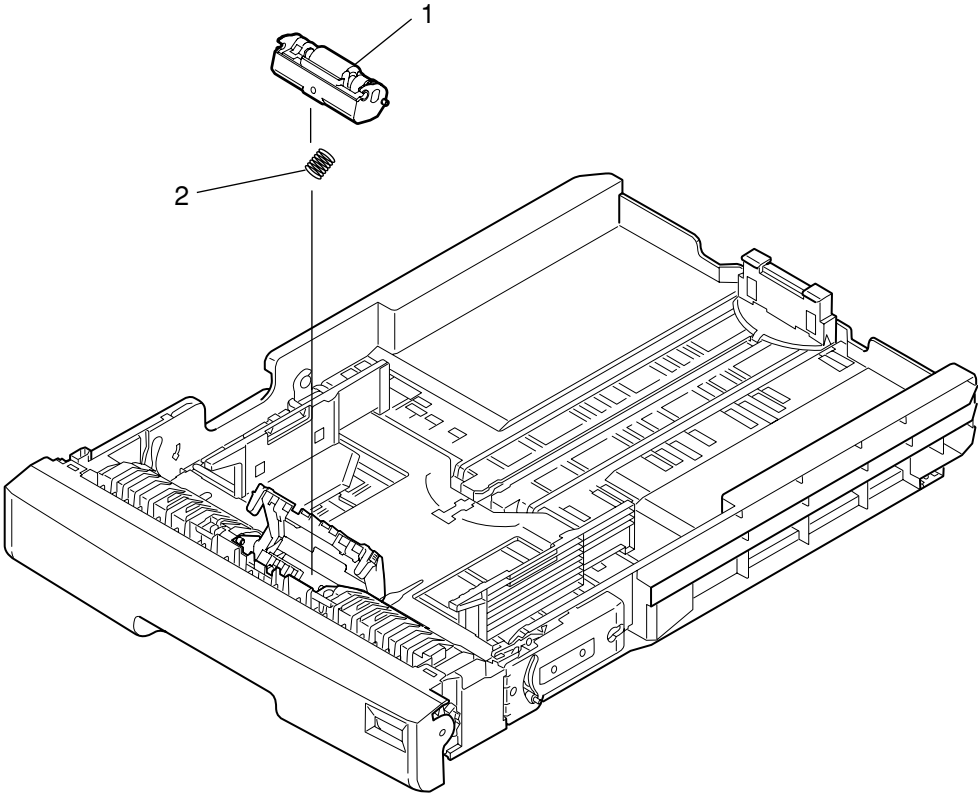


* : This is an appended part of 44885201 : OR-Board Assy. PCQ.
(The 44885201 contains the Frame Assy.-OP-Panel.)

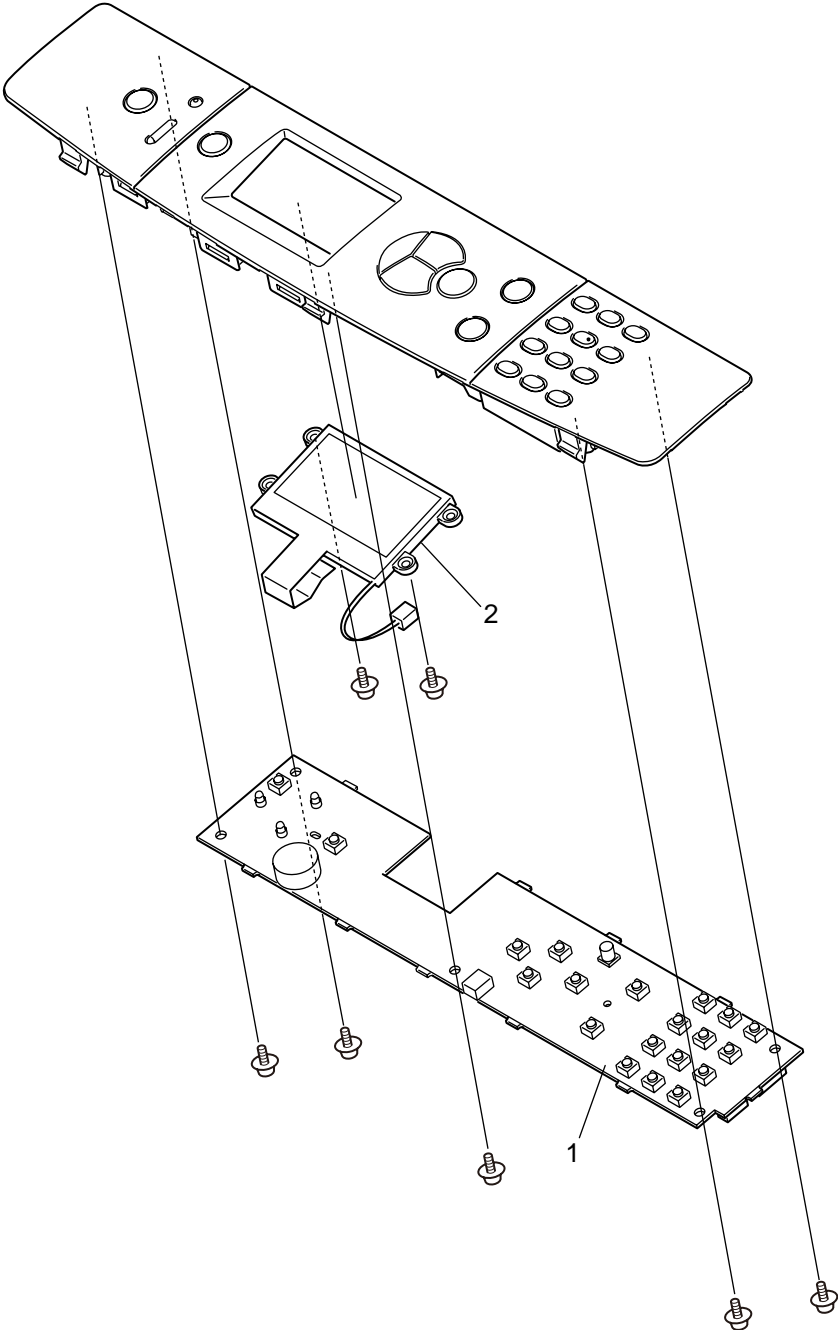
Consumable



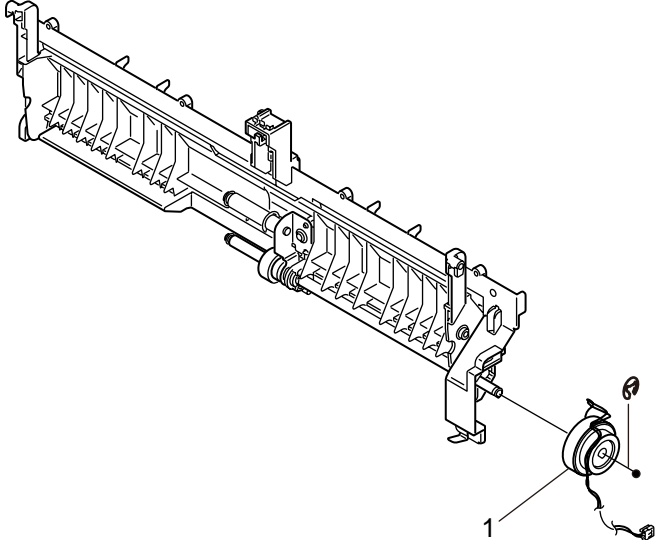
Cassette Assy



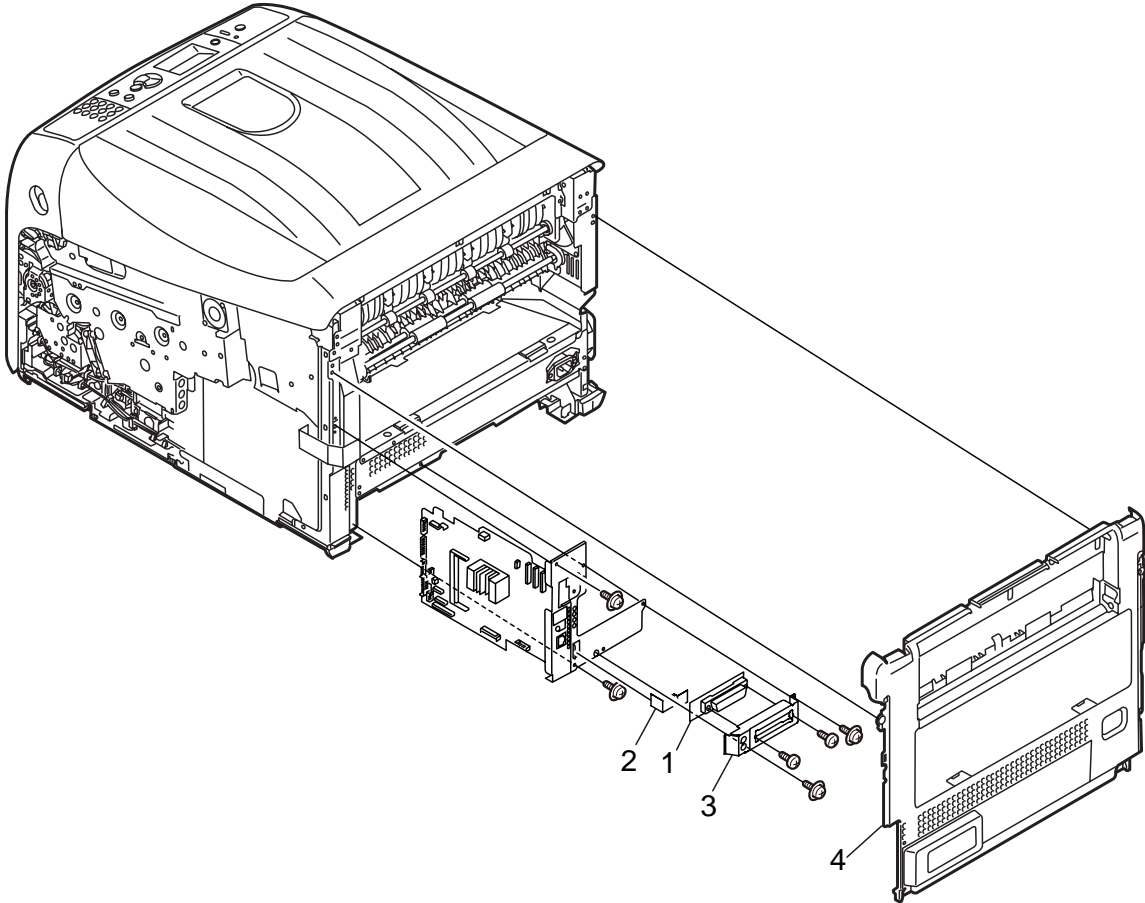
Frame Assy. -OP-Panel



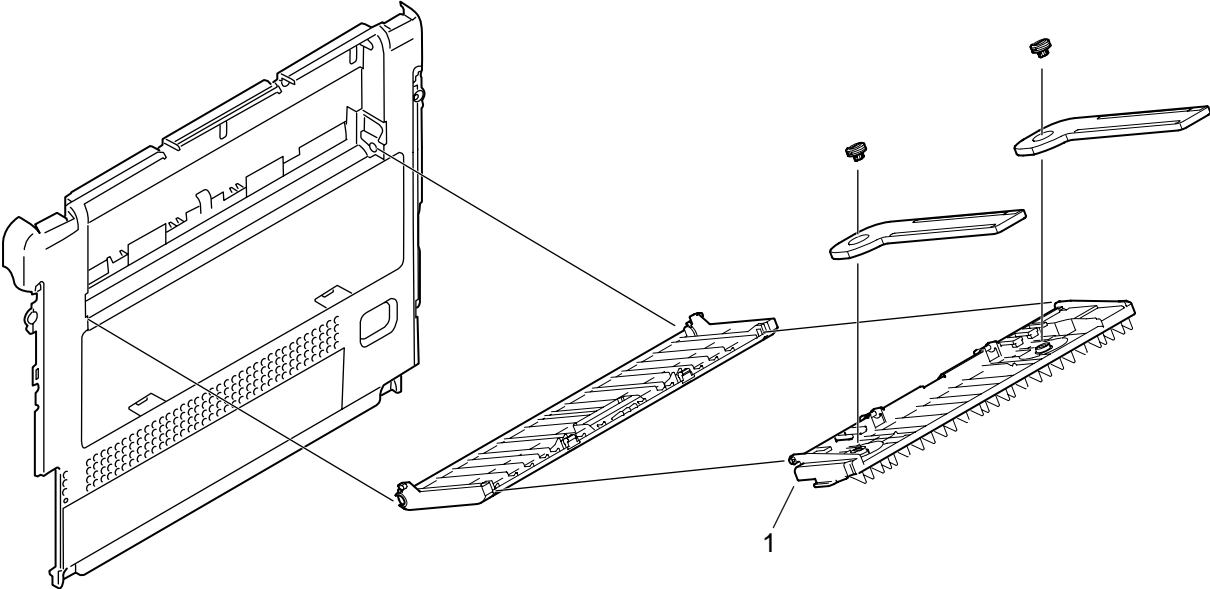
Guide-Sheet- Assy -Front



Printer with Centronics interface model



Cover Assy.-Rear



SD-Card Assy

