

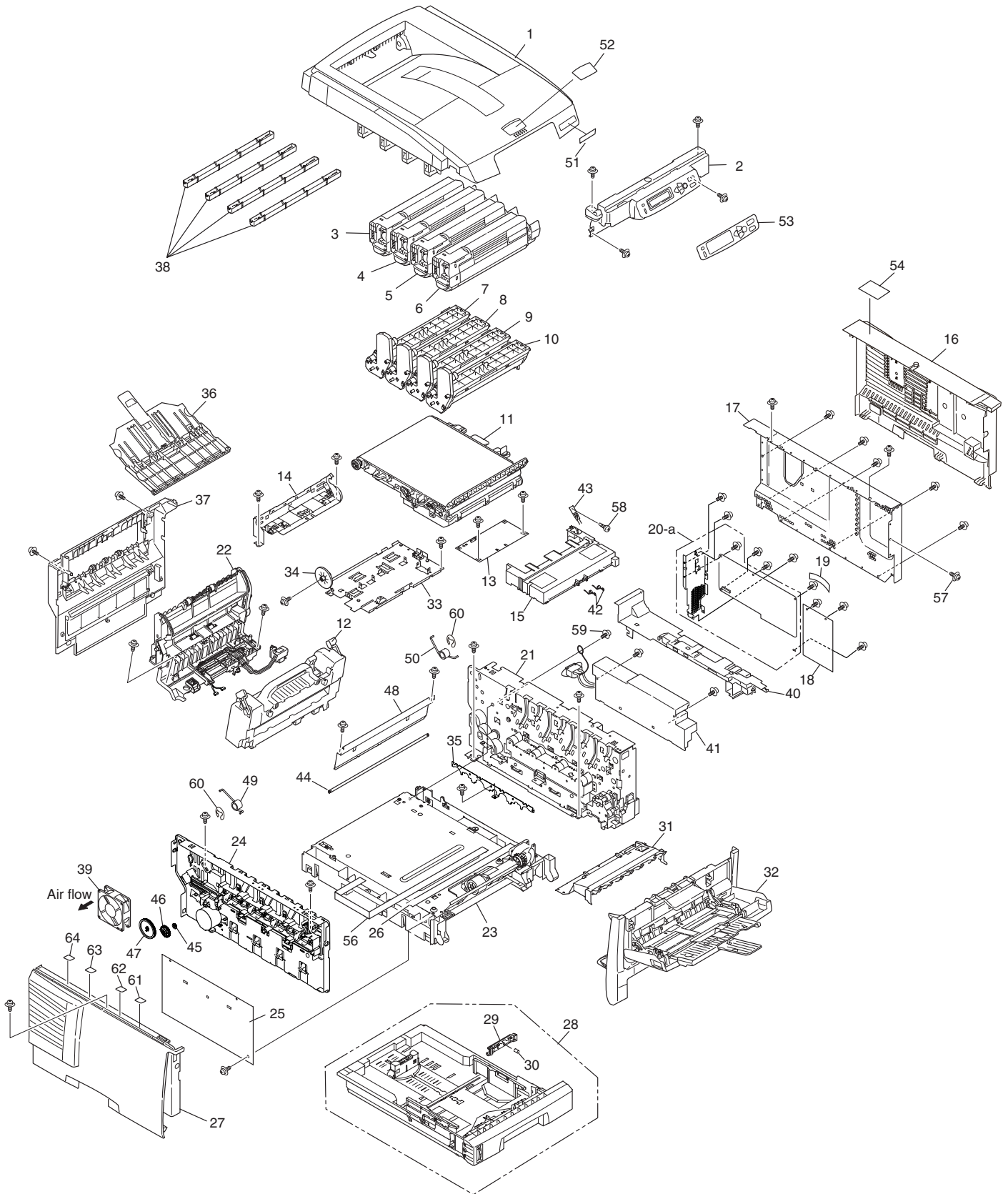
OEL Spare Parts Drawing

C5650/C5750/C5850/C5950/
ES2232a4/ES2632a4

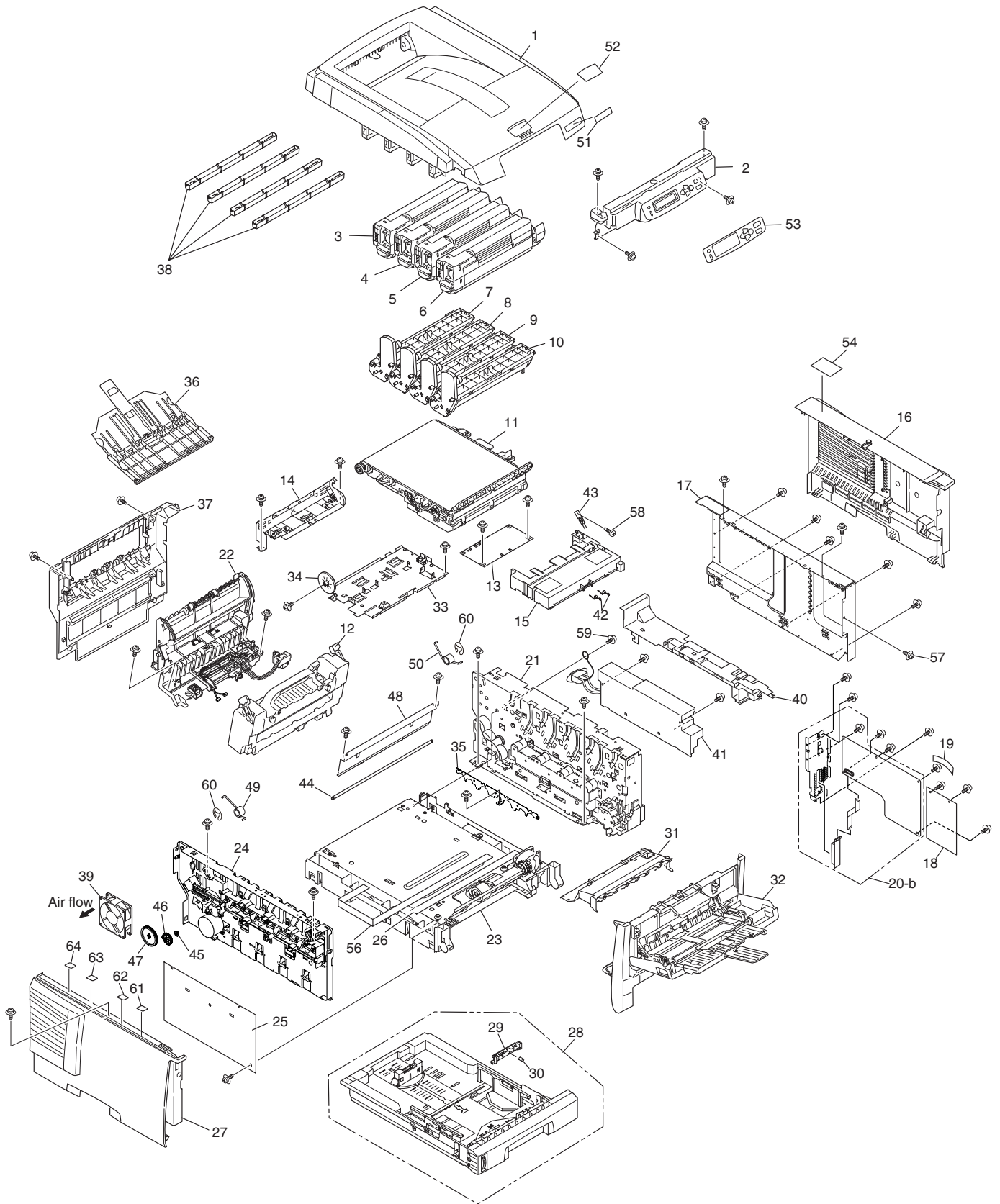


Revision 2

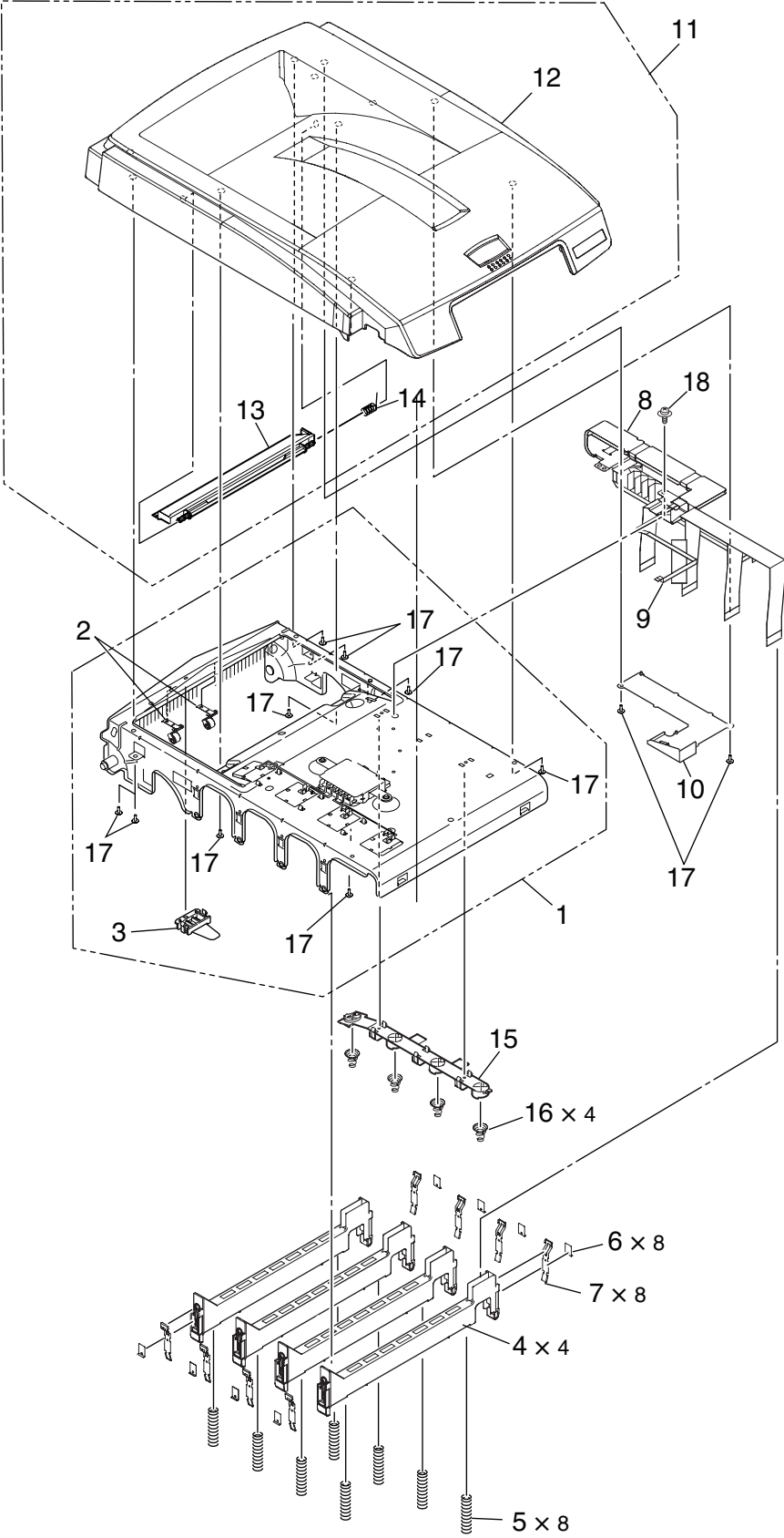
Parts Layout (C5850/C5650)



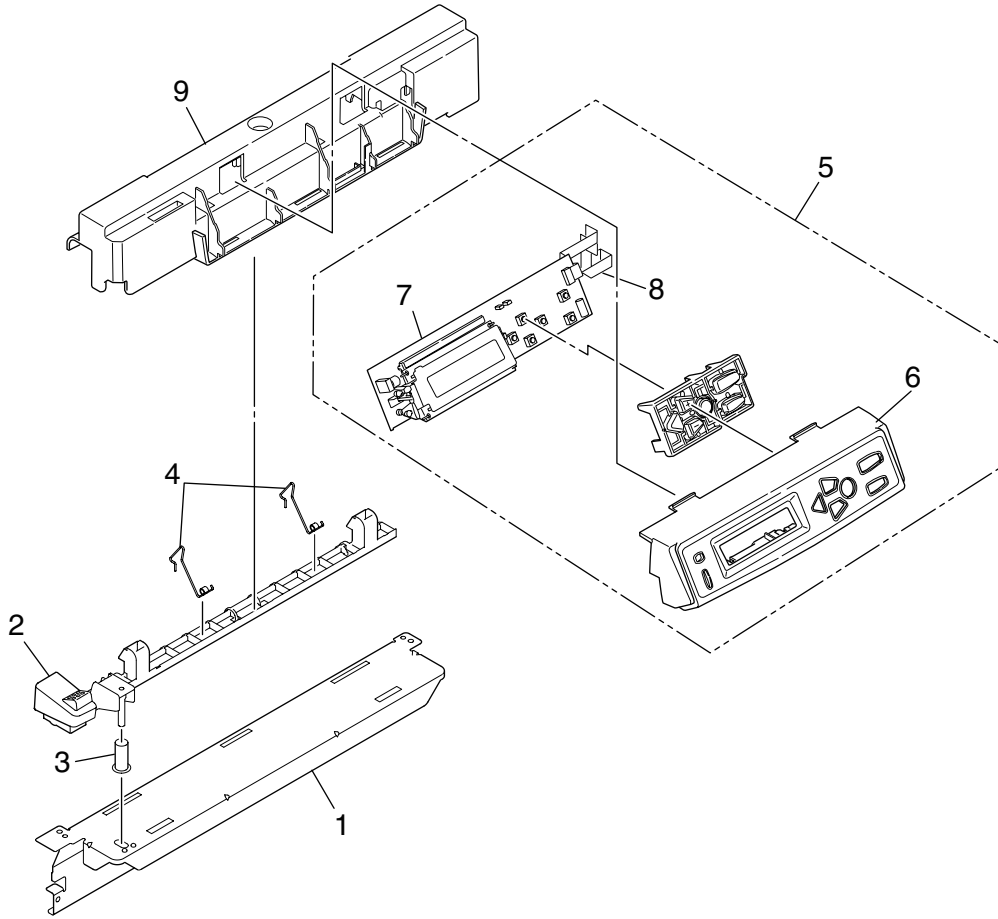
Parts Layout (C6150/C6050/C5950/C5750)



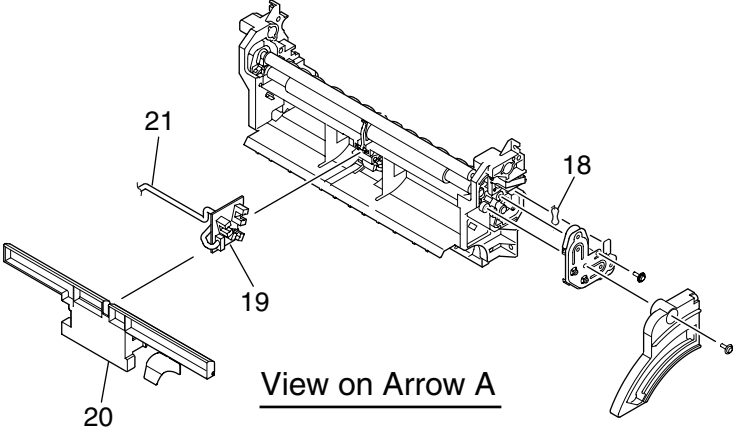
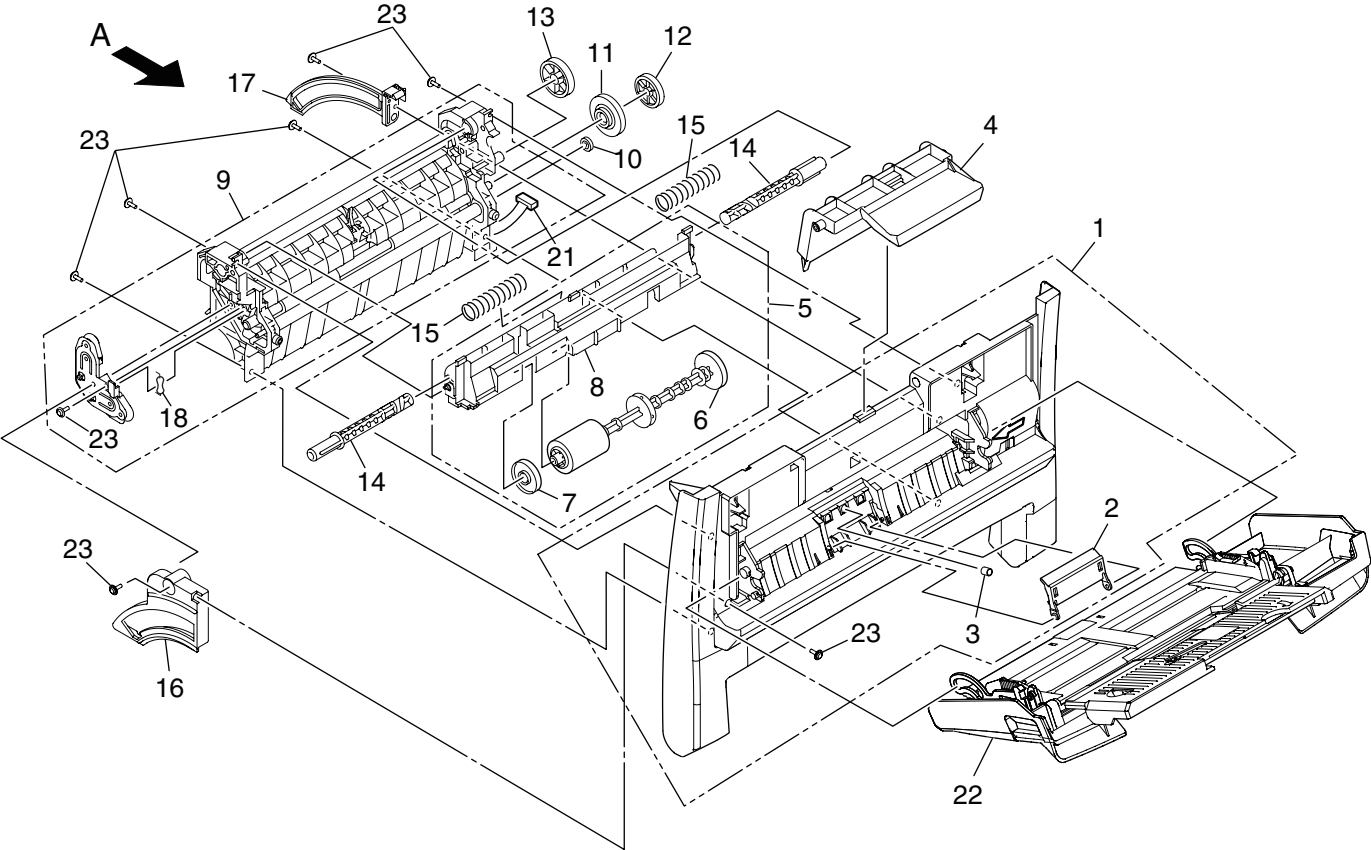
Top_Cover_Assy (C)



Control_Panel_Assy (C)

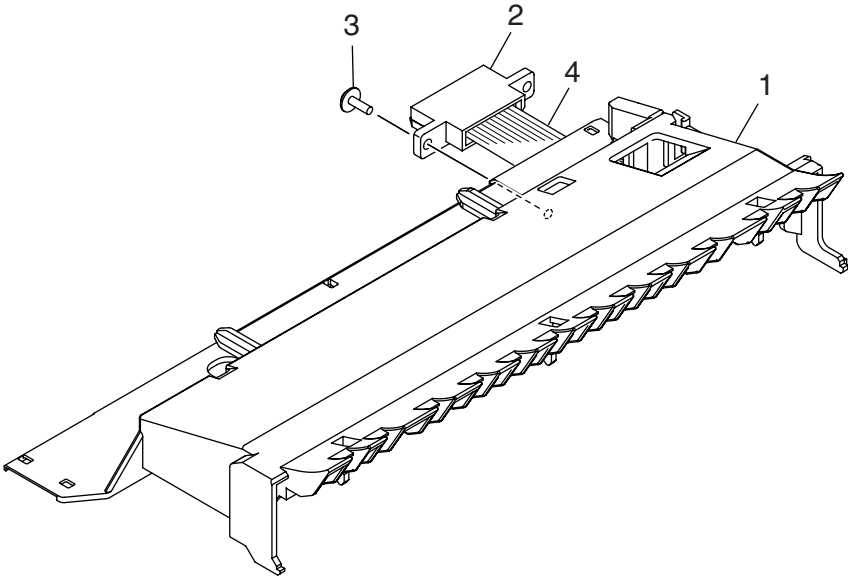


Feeder_Unit

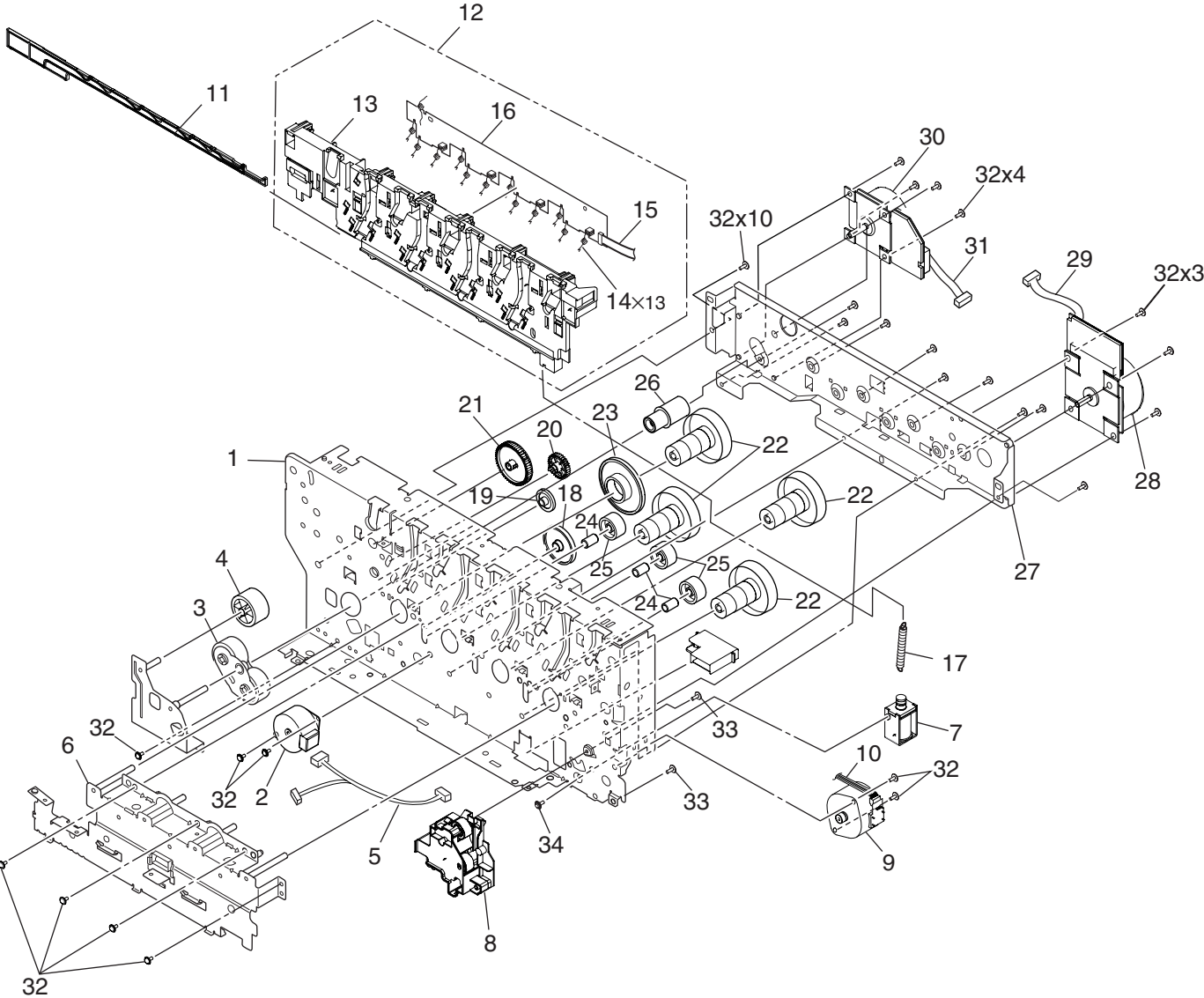


View on Arrow A

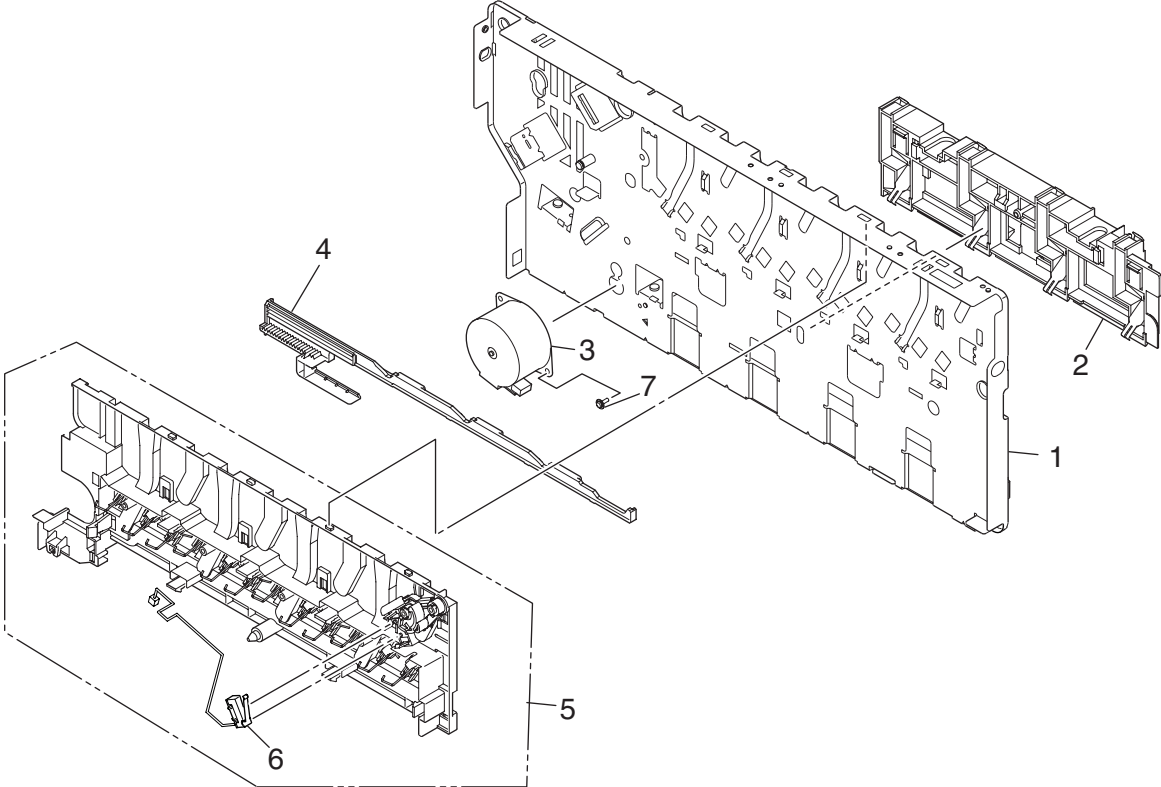
Cover_Assy-Hopping



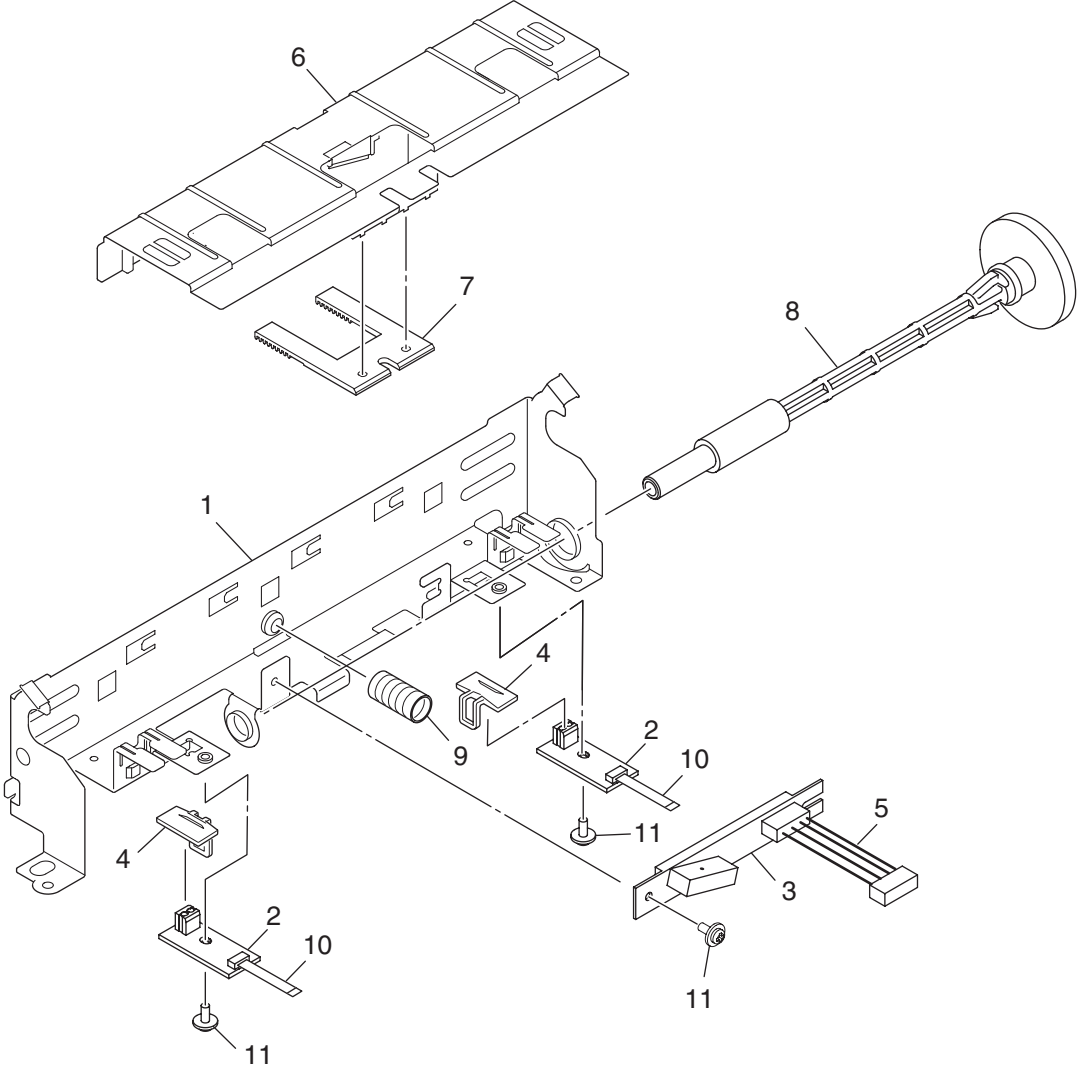
Plate_Assy-Side_R



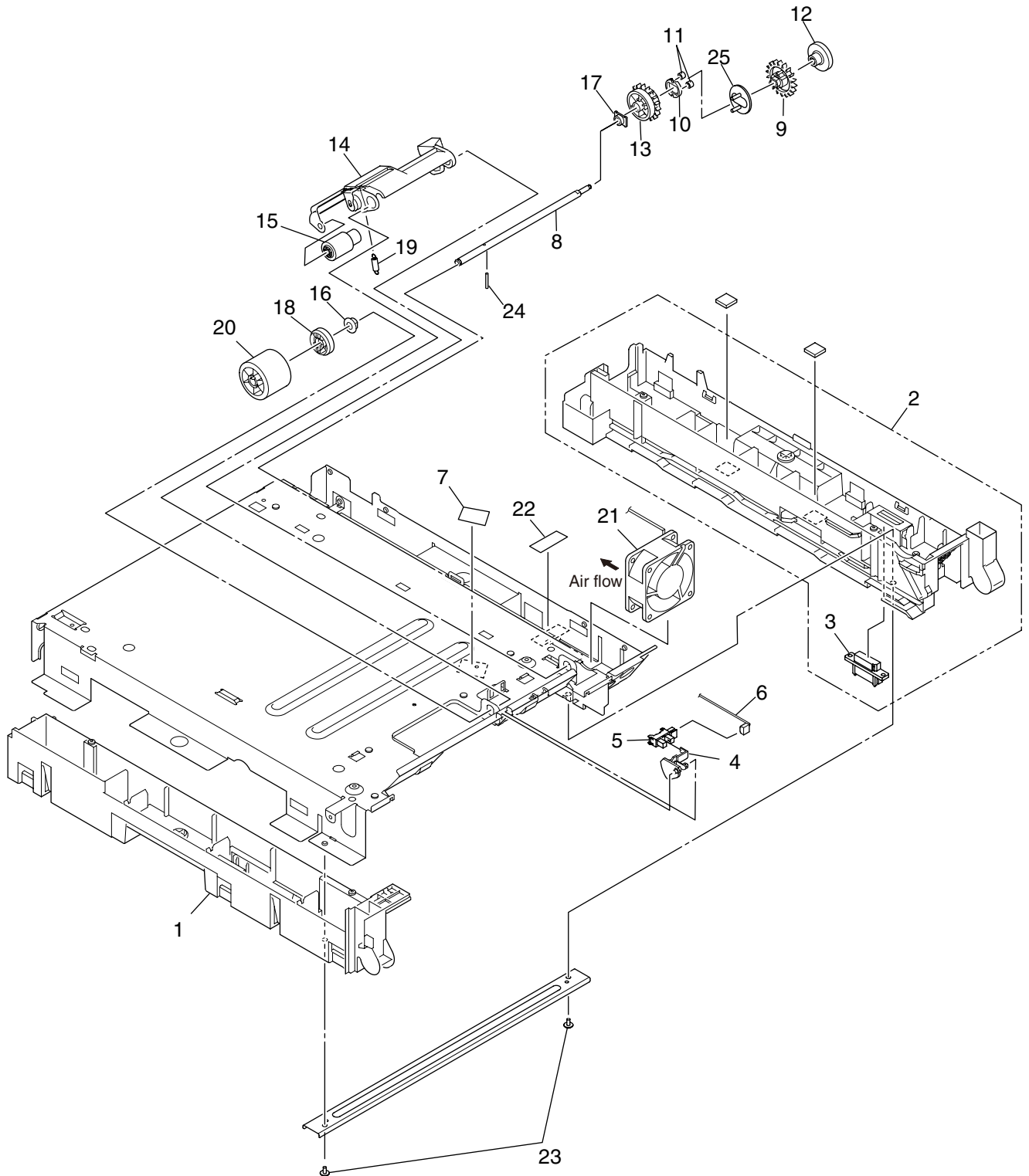
Plate_Assy-Side_L



Sensor_Assy-Regist



Plate_Assy-Base



Eject_Assy

