

OEL Spare Parts Drawing

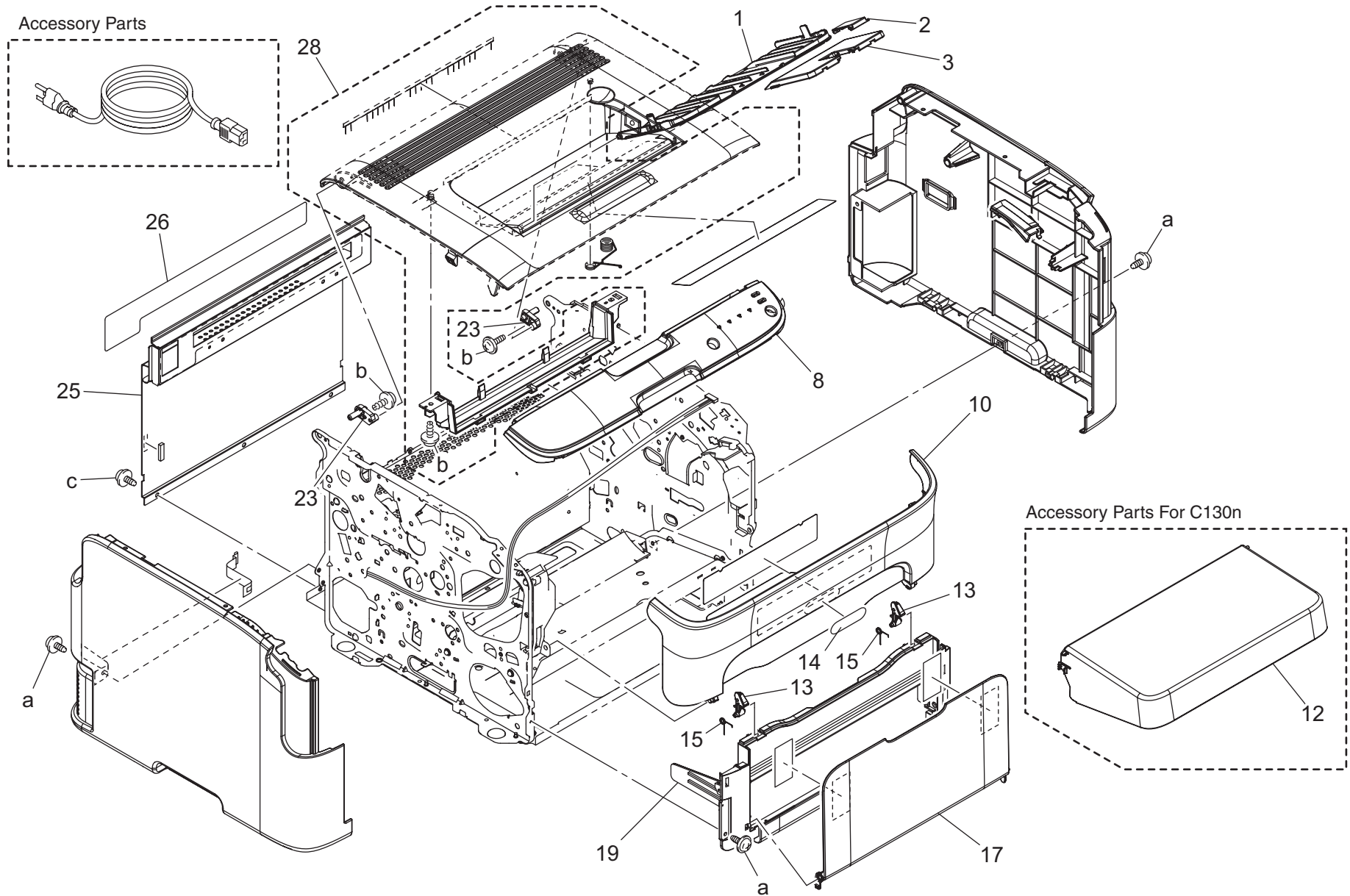
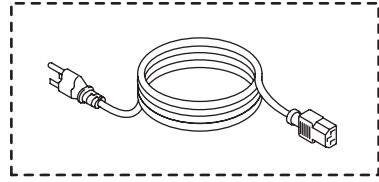


C110 / C130

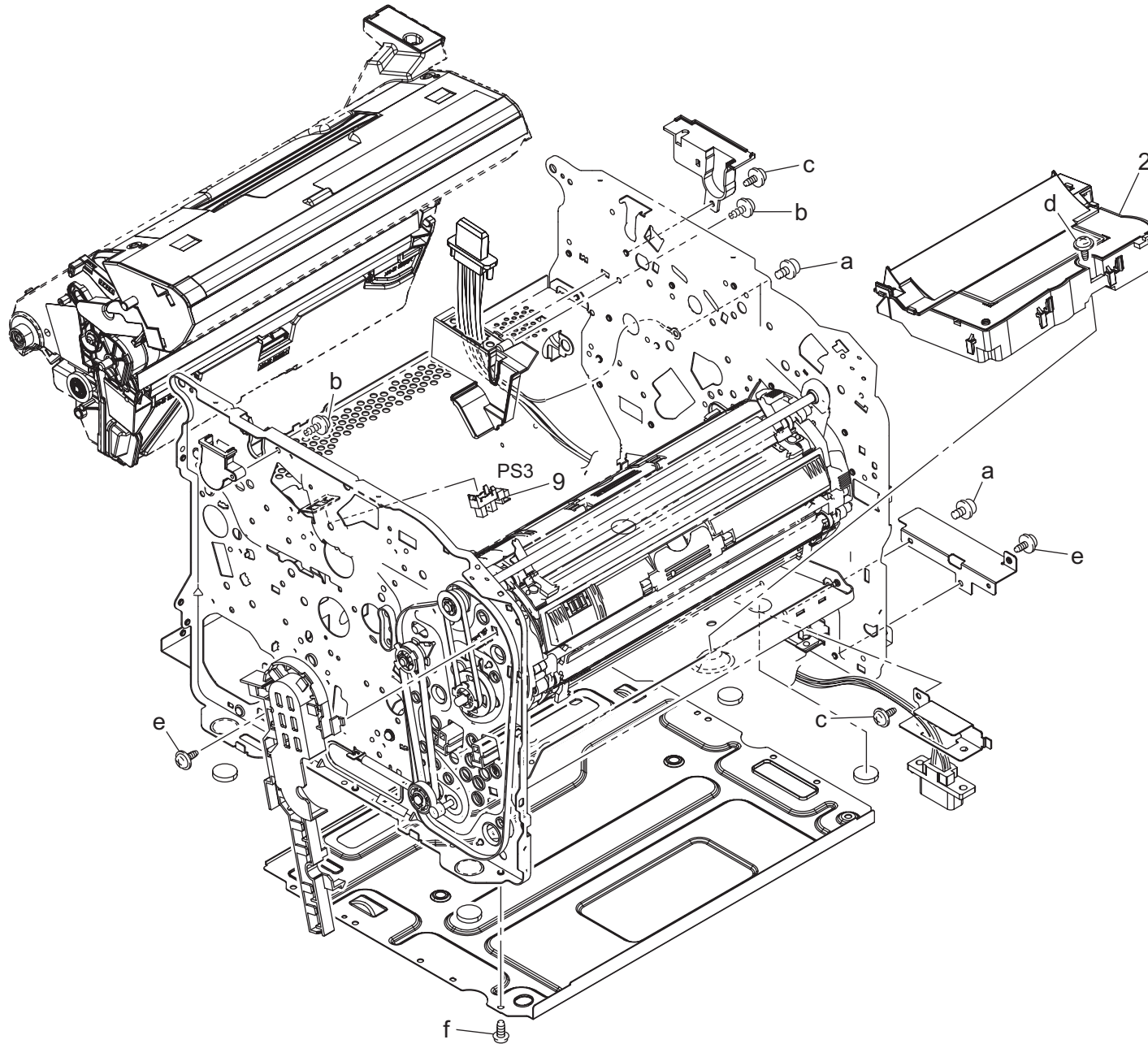
Revision 4

EXTERNAL PARTS

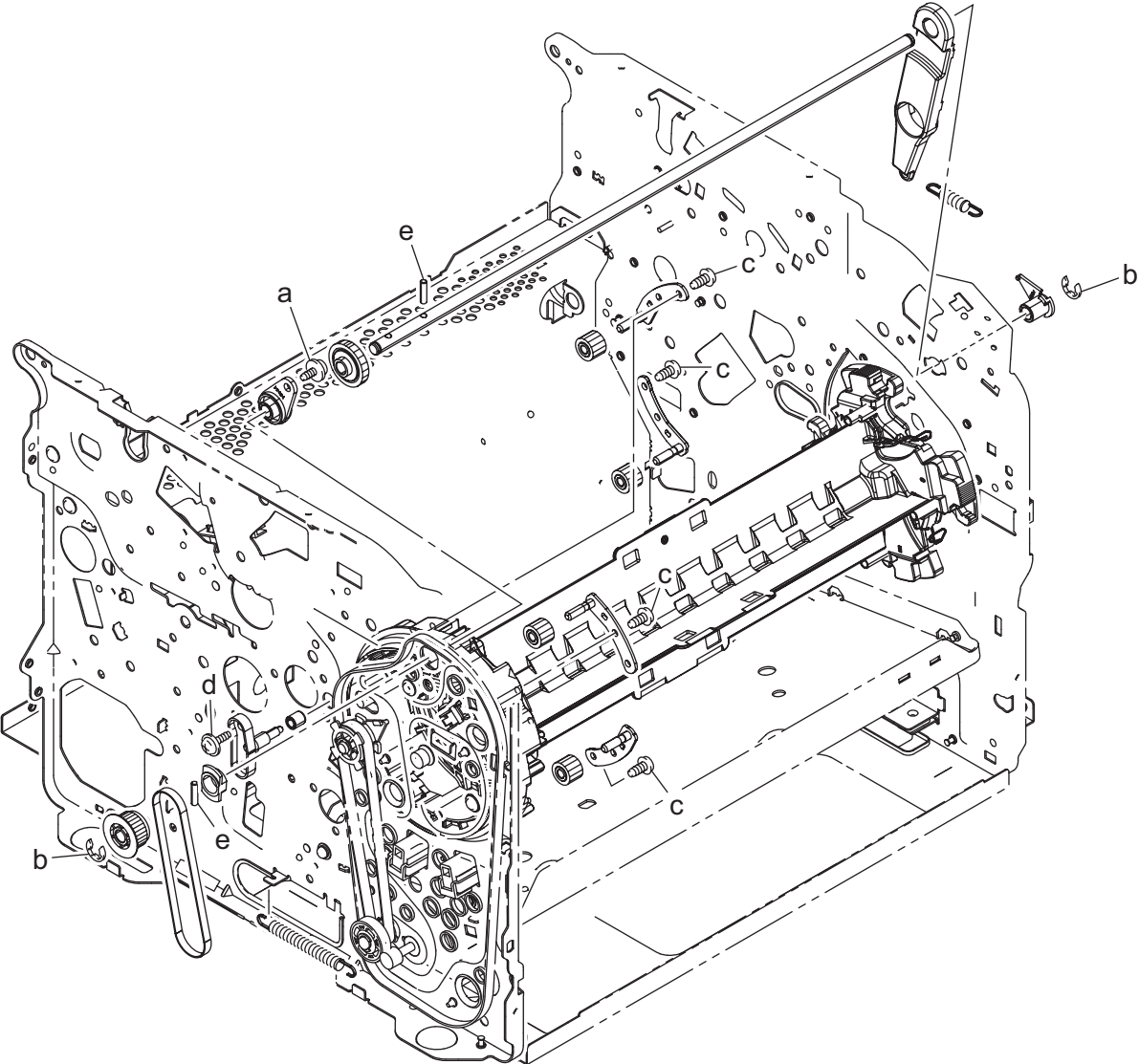
Accessory Parts



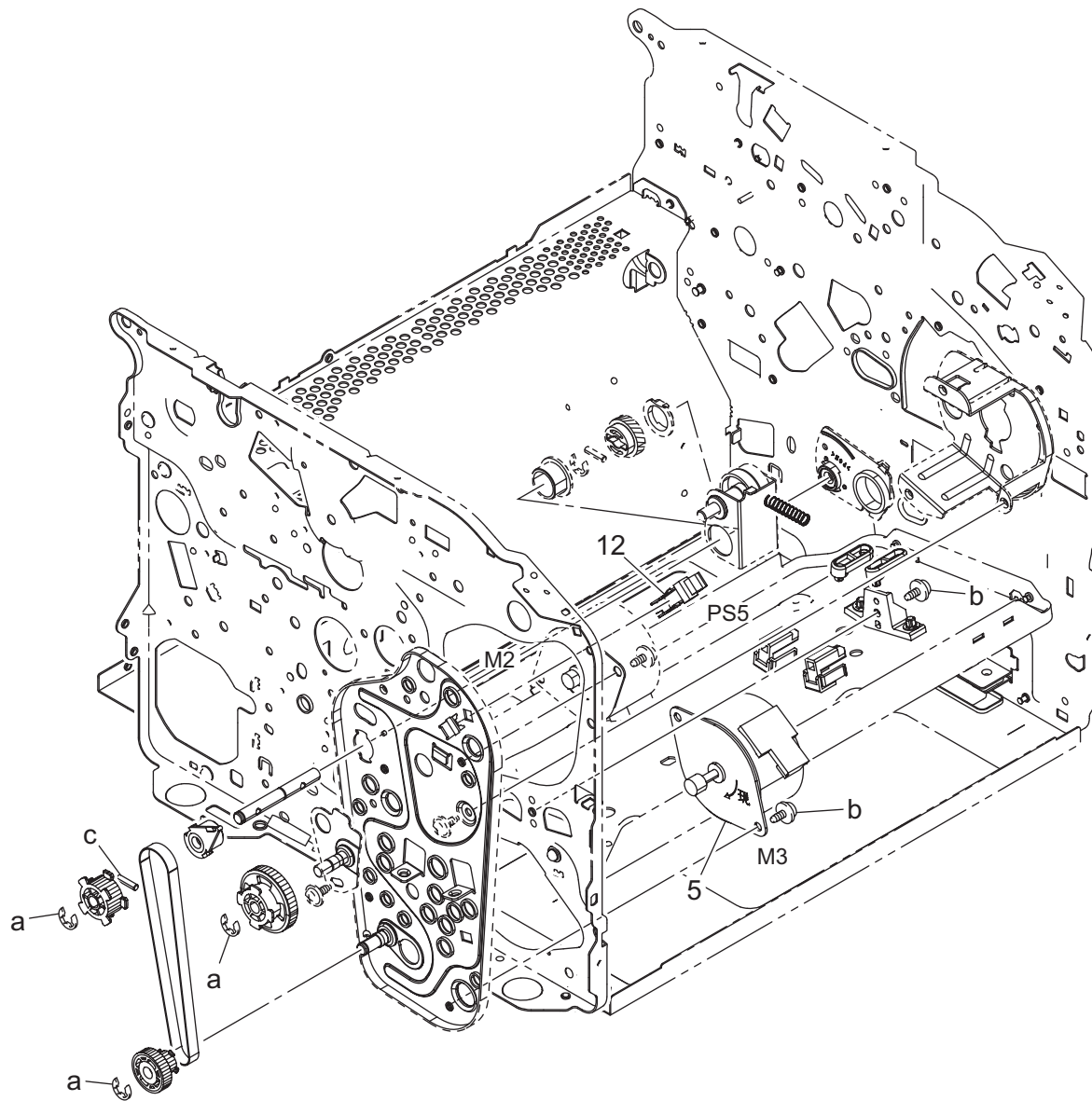
MAIN FRAME SECTION



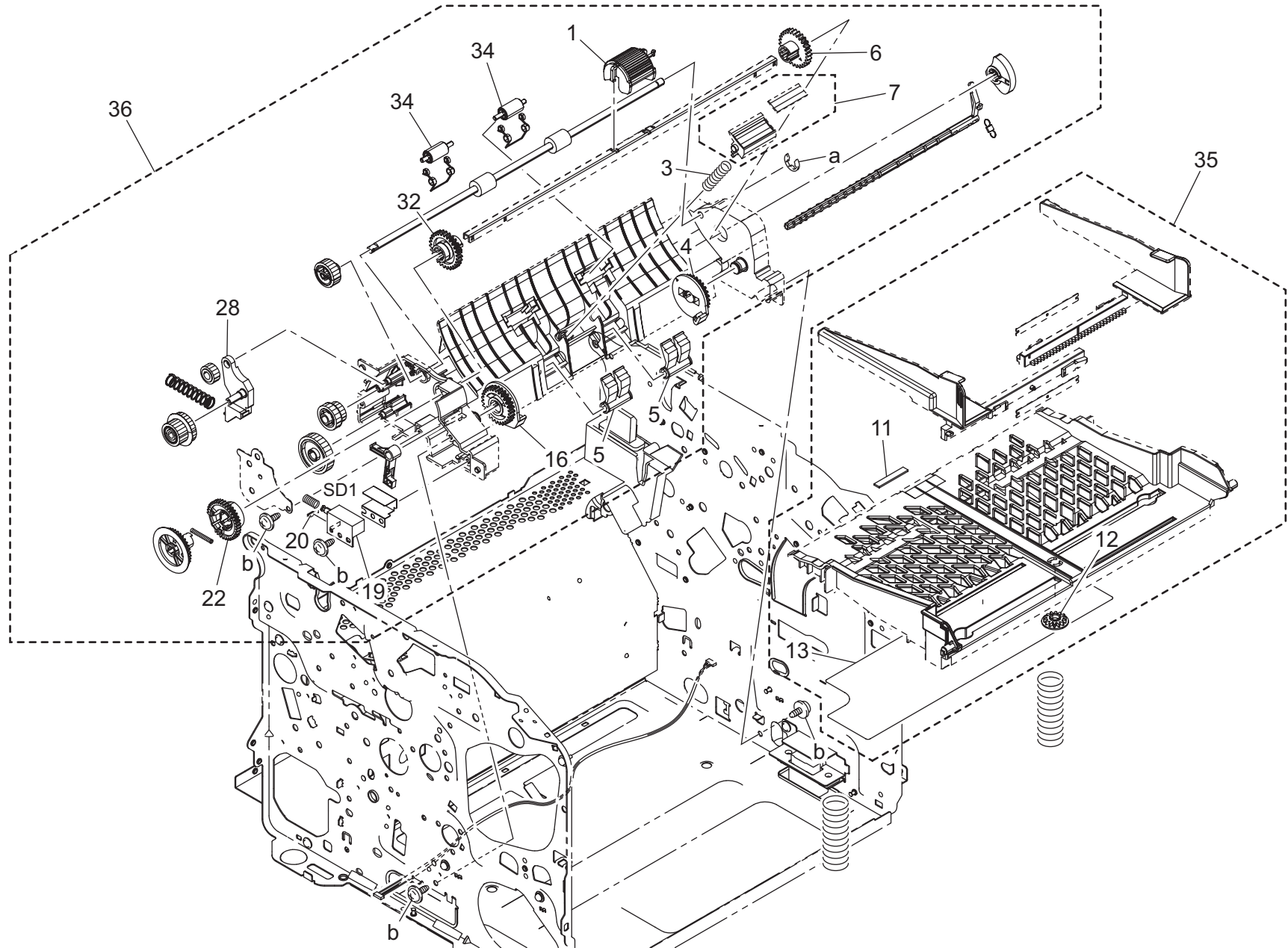
RACK/RACK DRIVE SECTION_1



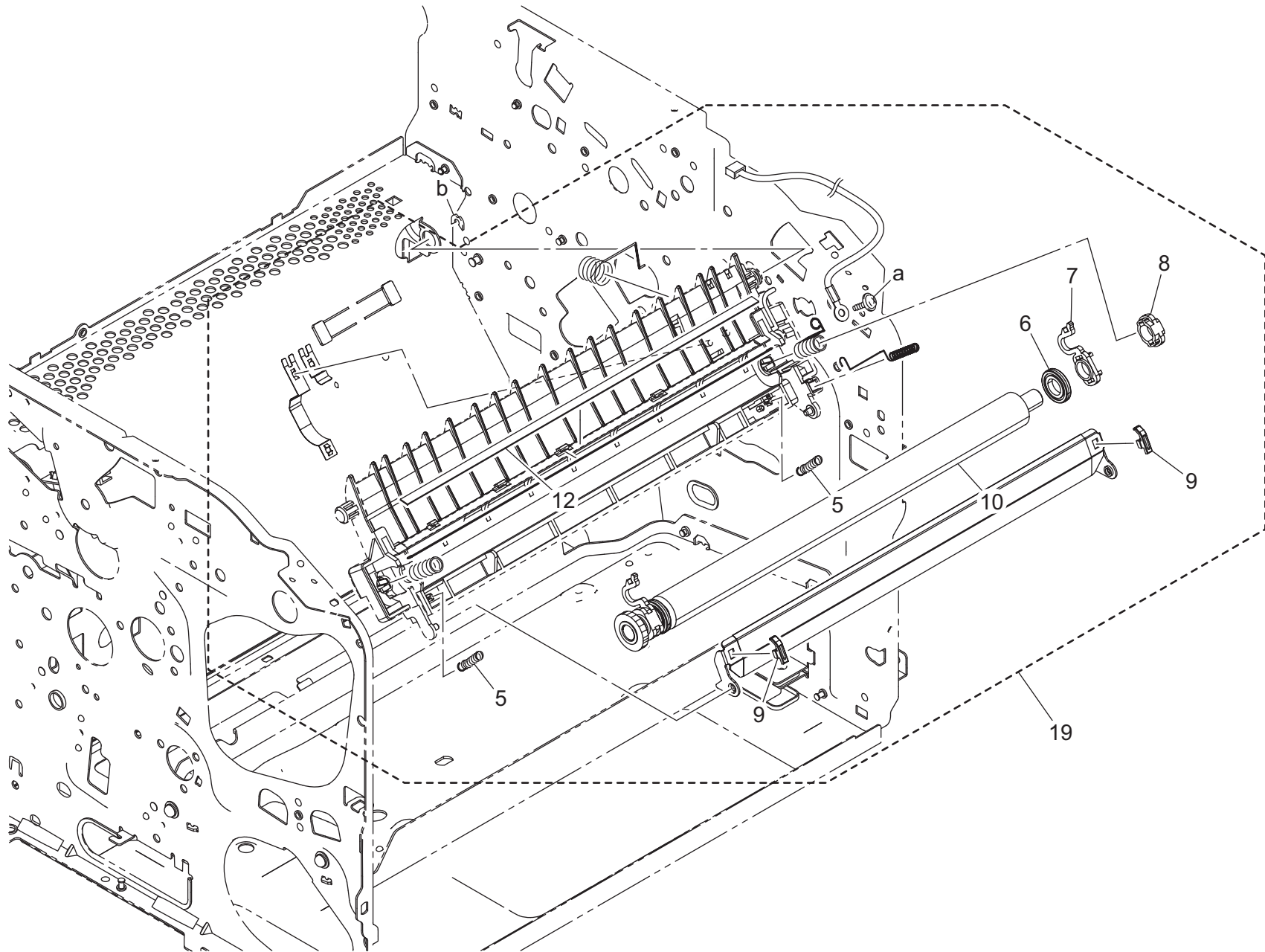
RACK/RACK DRIVE SECTION_2



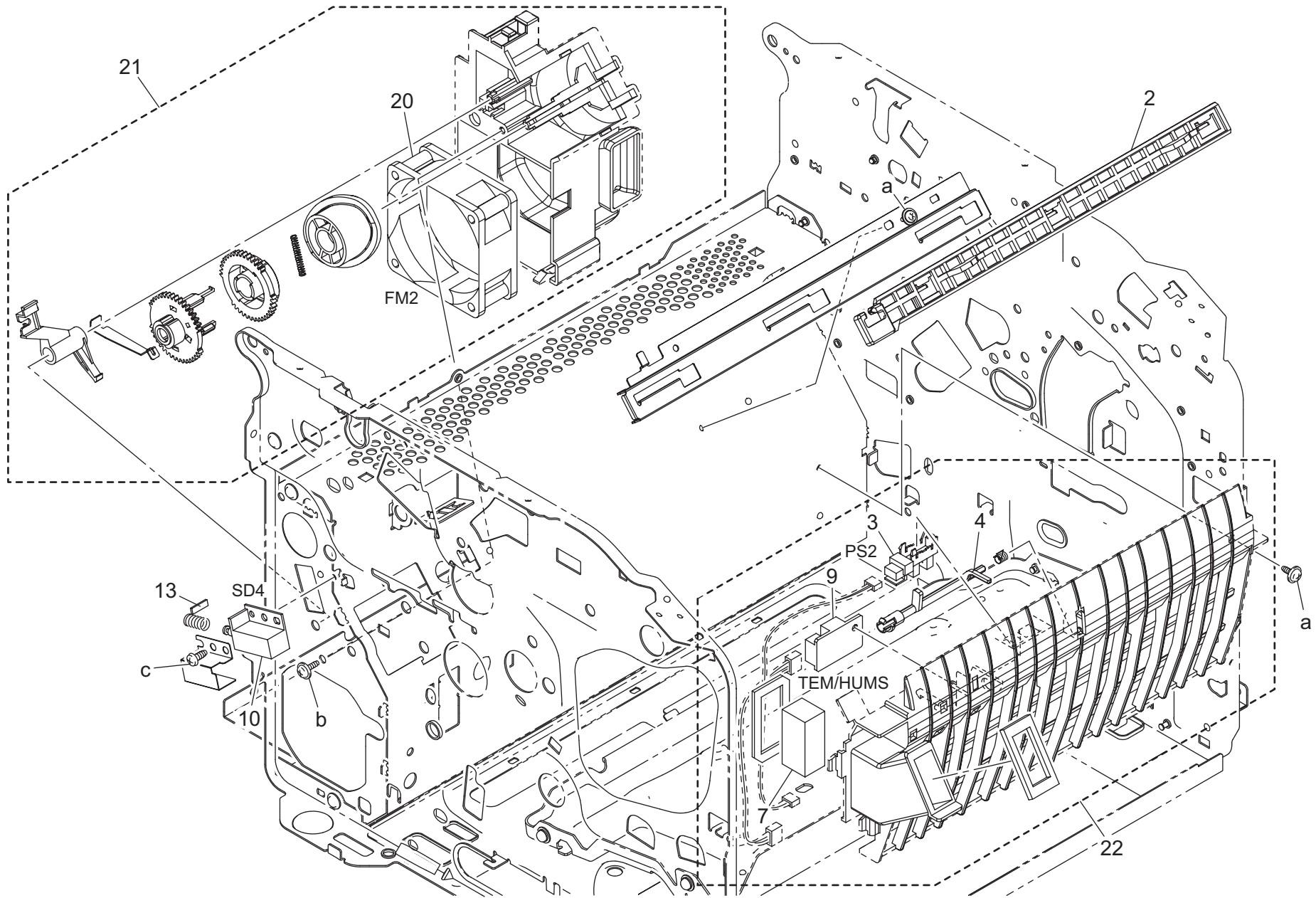
PAPER TAKE-UP SECTION



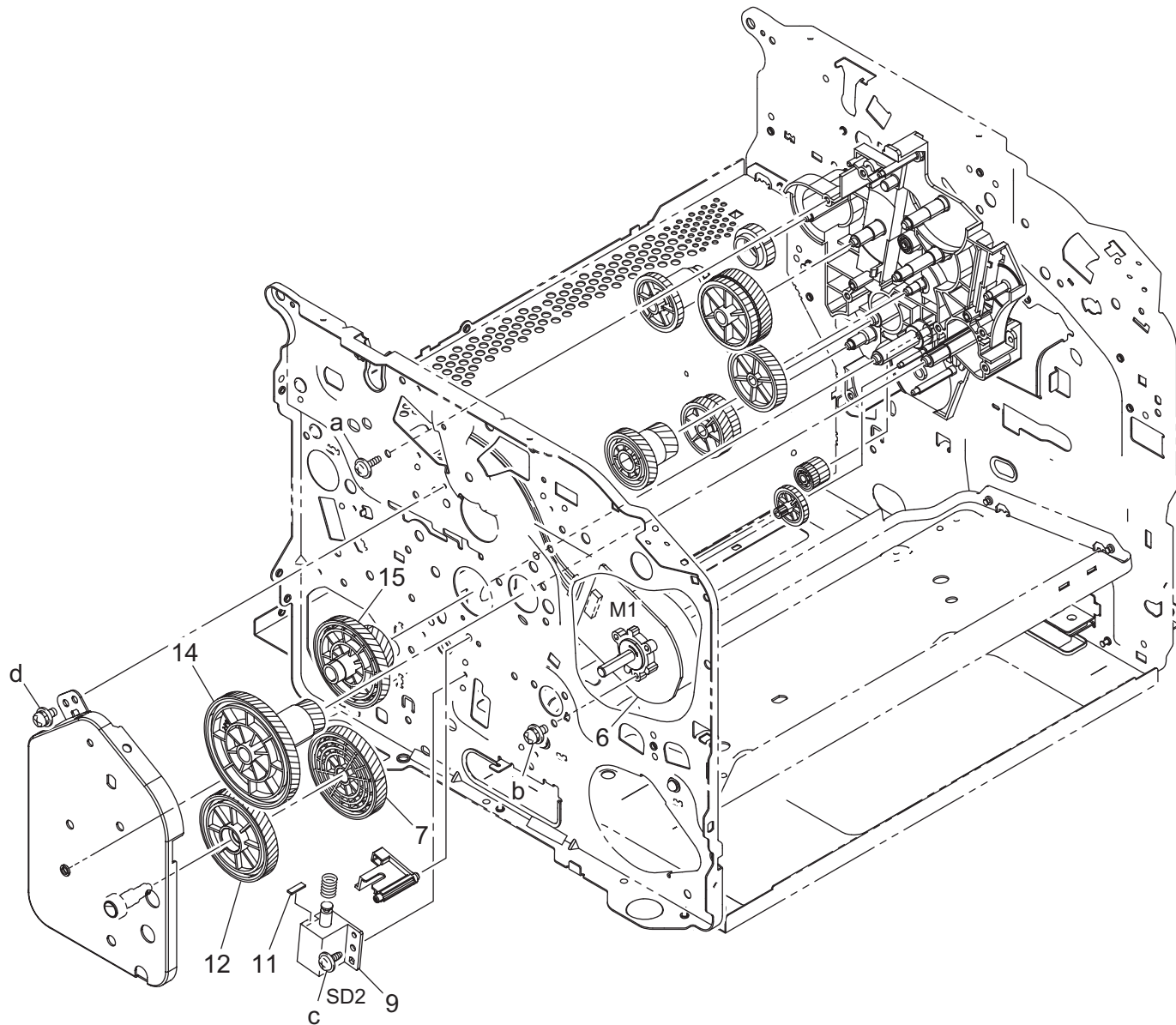
TRANSFER SECTION_1



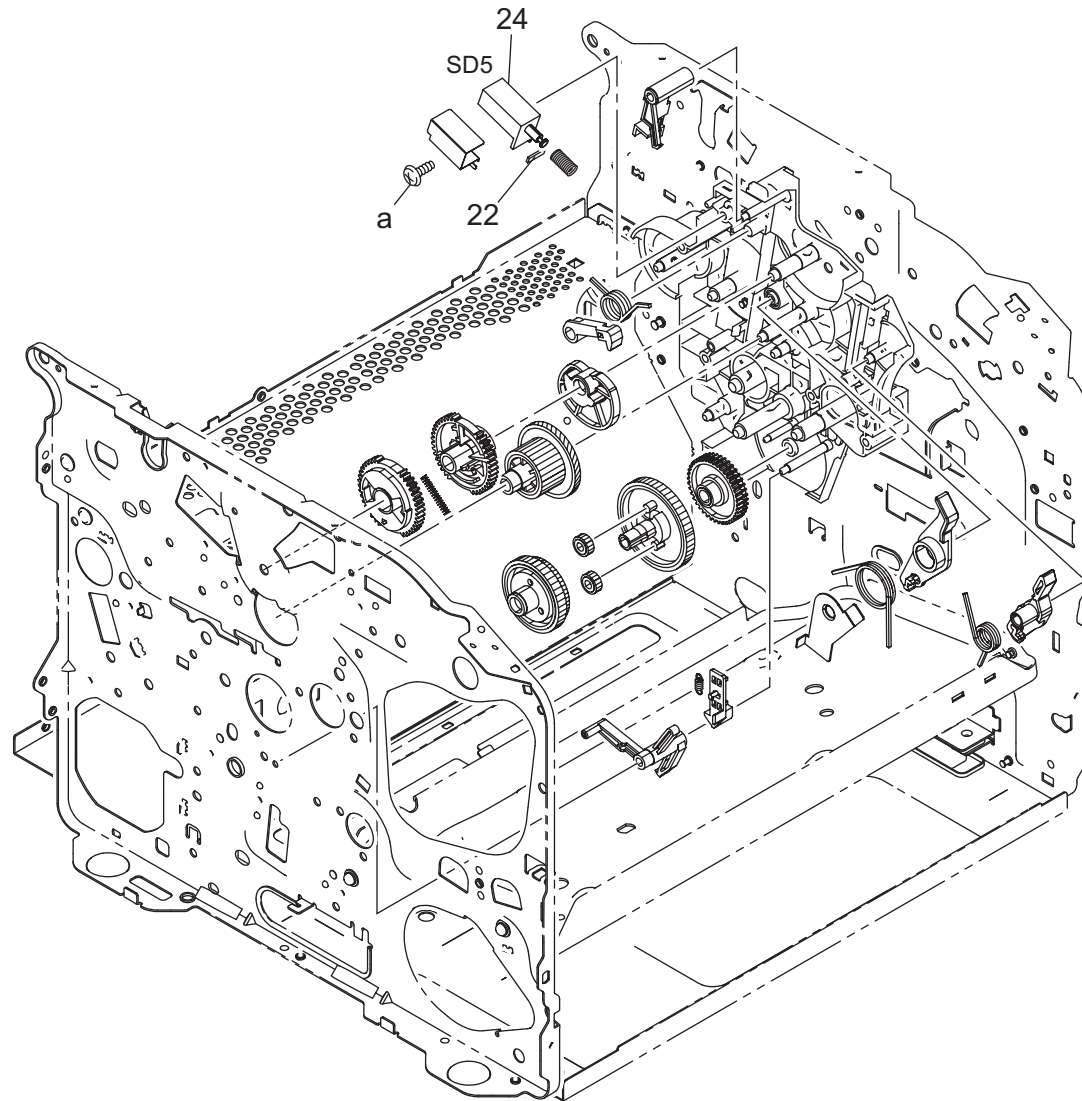
TRANSFER SECTION_2



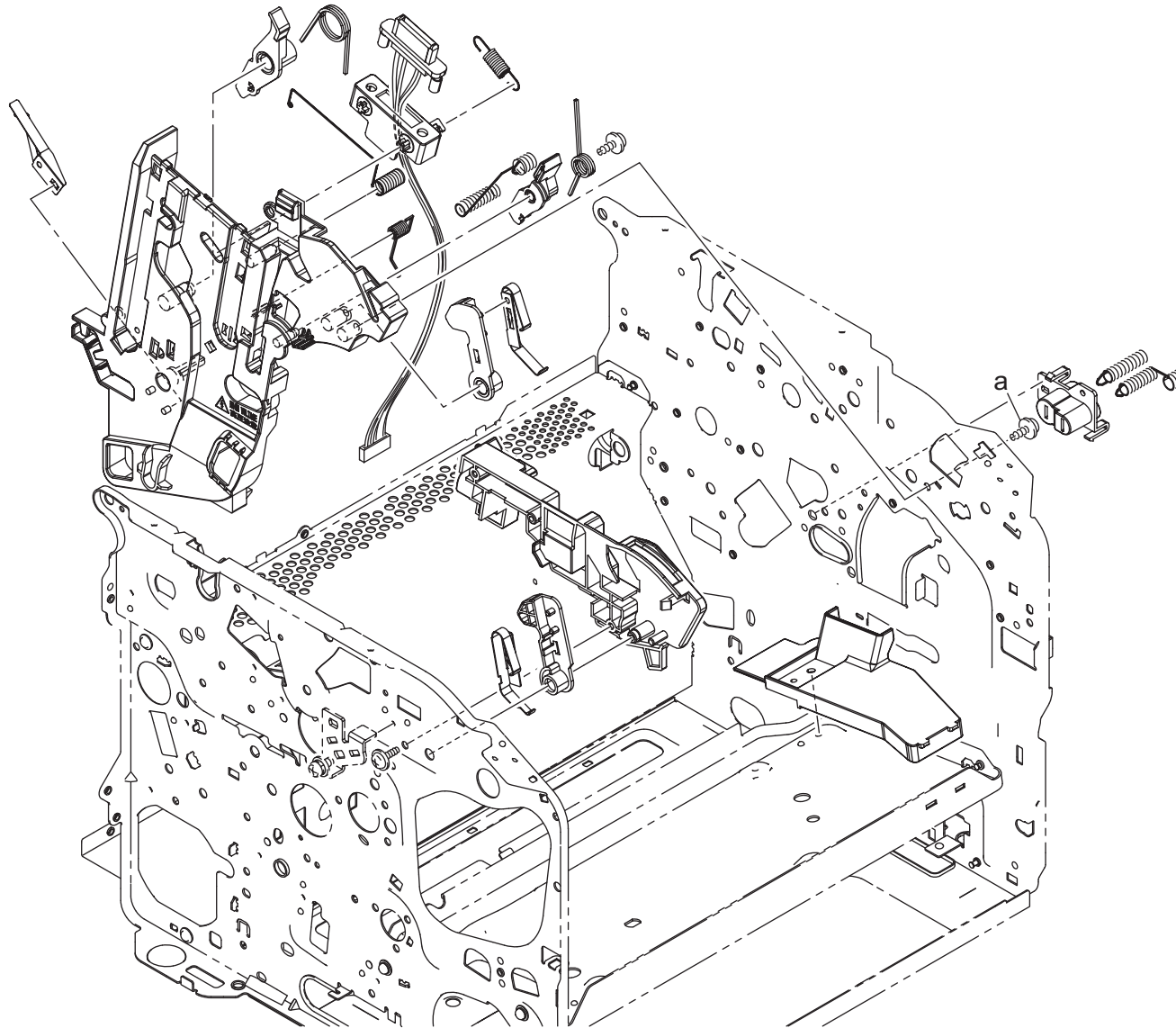
DRIVE SECTION_1



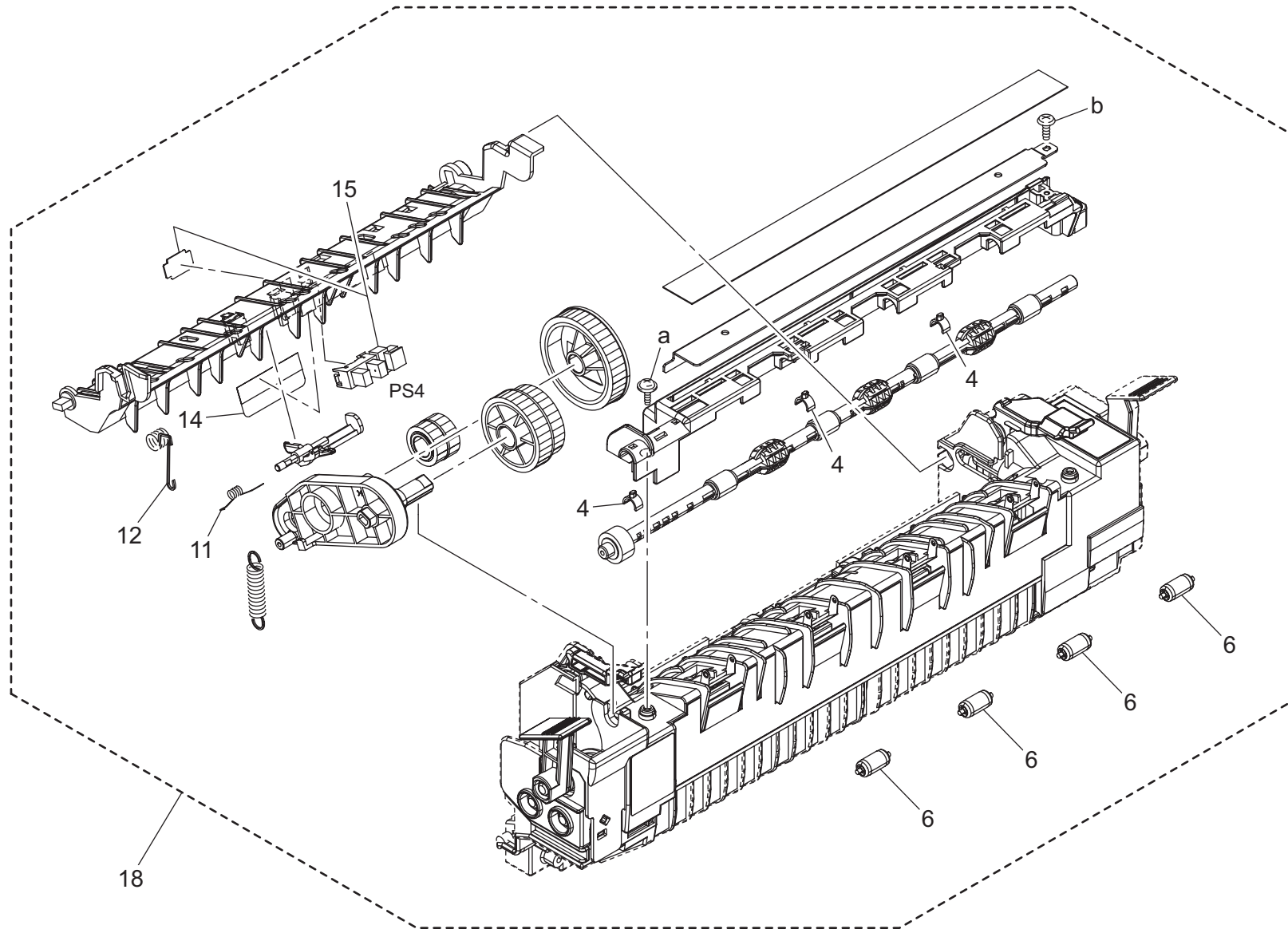
DRIVE SECTION_2



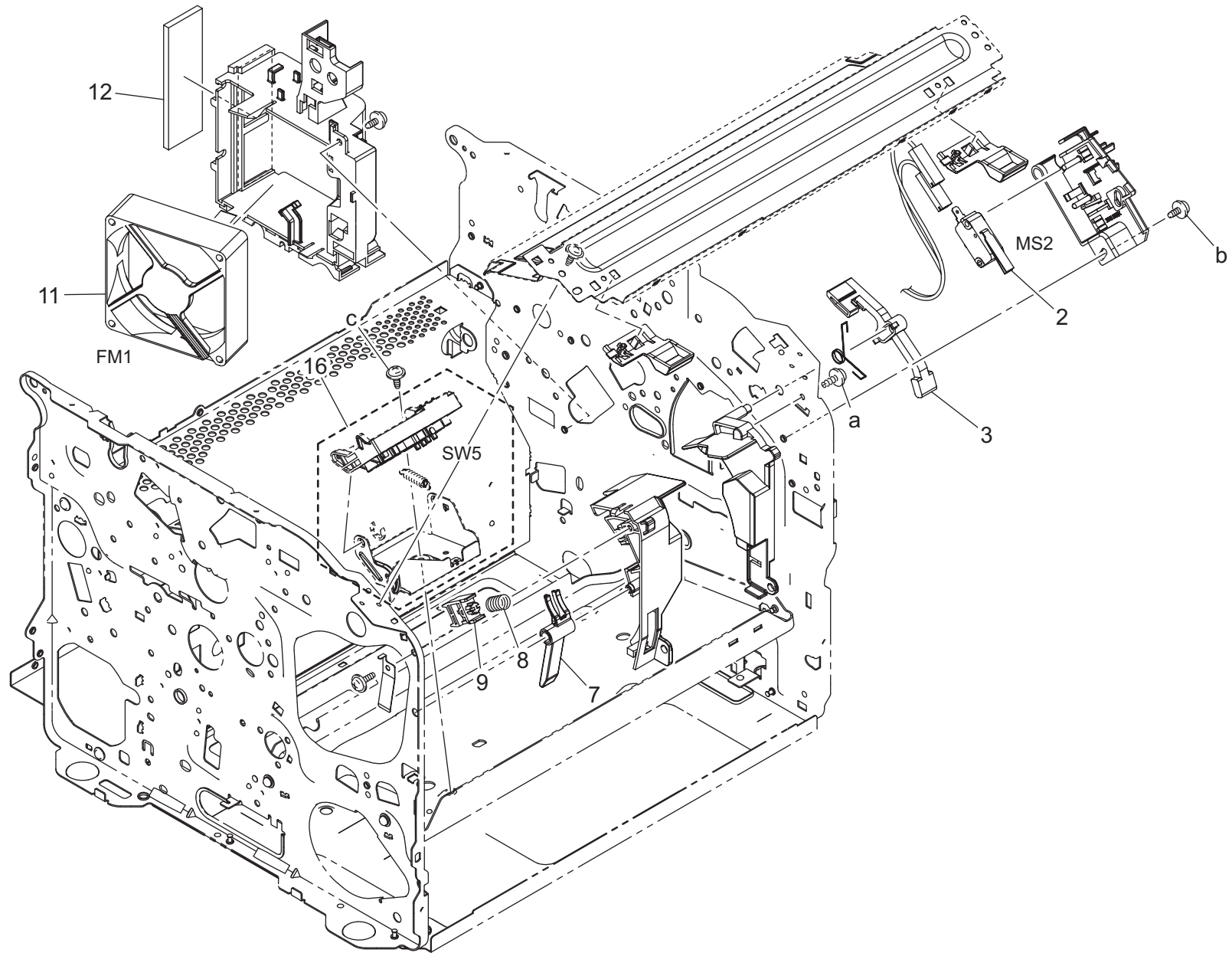
RIGHT GUIDE SECTION



FUSING SECTION



COOLING SECTION



ELECTRICAL COMPONENTS

