

# Spare Parts Listings + Disassembly Diagrams

B4520MFP/B4540MFP



Revision 2

FIGURE	ITEM No	REFERENCE	DESIGNATION	COMMENTS
1	2	251284719	Document loading tray	
1	3	143826202	AC adaptor	
		186770538	English	
			French/German/Spanish/Italian/Dutch/Austria/Norway/Swed./Den.	
1	4		Telephone line cord	
		236594356	English	
		232326830	French	
		232501037	German	
		232511265	Spanish	
		236613362	Italian	
		251255193	Dutch	
		232827928	Austria	
		232511265	Norway/Sweden/Denmark	
1	5	188412147	Print paper feed tray	
1	6	251284727	Printer output tray assembly	
2	1	251458799	Equiped control panel - 10 keys	
2	2	251622159	Panel label OKI	
2	4	251474558	Right cover	
2	7	251474561	Left cover	
3	1	251285513	ADF Cover assembly	
3	2	251474285	Motor cover	
3	3	251283212	ADF assembly	
3	4	251283949	Flap assembly	
3	5	251474318	Scanner output tray adjuster	
3	6	251328657	Handle assembly	
3	7	251622167	Panel label for B4520MFP	
3	7	251622170	Panel label for B4540MFP	
4	1	251269709	Feeder assembly	
4	2	251281234	ADF paper way assembly	
4	3	251473957	19 teeth gear	
4	4	251283936	Ground plate	
4	5	251474011	22/18 teeth gear	
4	7	251283928	ADF Motor frame assembly	
4	8	251473999	60/31 teeth gear	
4	9	251473981	51/16 teeth gear	
4	10	251263343	Ejector reversing assembly	
4	11	251263356	Motor reversing assembly	
4	12	188323890	Brush	
4	13	251327262	Ground plate feeder	
4	14	251473134	Roller bearing turning	
4	15	251283452	ADF Paper separation pad	Modified part TIB 251920571
5	1	251284222	Upper cover assembly	
5	2	251284412	Lower cover assembly	
6	1	251285245	CIS support assembly	
6	2	251474508	CIS stopper	
6	3	251284467	Guide shaft	
6	4	251474389	Belt weel	
6	5	251290543	Belt spring	
6	6	251474371	Belt weel washer	
6	7	188238330	Belt	
6	8	251333067	CIS cord	corrected P/N ref TIB 251979355
6	9	251474339	Lower cover	
6	10	188240335	FB Optical sensor	
6	11	251284615	FB motor frame assembl	
7	1	188221116	CIS	
7	2	251295473	CIS spring	
7	3	251474392	CIS support	
7	4	187956942	CIS ferrite core	
8	2	236563608	Speaker assembly	
8	3	251474516	Interface	
8	4	251474529	Paper access cover	
8	5	251268041	Mylar UC board	
8	6	251700601	UC board - B4540MFP	
8	6	251700685	UC board - B4520MFP	
8	7	251268033	PCB ground plate	
8	8	251474537	Front right fixation	
8	9	251474540	Front left fixation	
9	1	188412147	Tray assembly	
10	1	188454067	Left frame assy	
10	2	188454075	Regulation plate assy	
10	3	188454054	Right frame assy	
10	11	188480728	Fan unit	
10	12	188478806	Motor	
10	13	251616891	Holder assembly	
10	14	251616883	Holder assembly	
11	1	188454012	Transfert unit	
11	2	188775044	Paper take-up assy	Revised P/N ref TIB 251979363
11	3	188478799	Pressure spring	
11	4	188478819	Tray	
11	5	188602569	Micro Switch	New part ref TIB 252024550
11	6	188602548	Guide	New part ref TIB 252024551
11	7	188602572	Solid state switch	New part ref TIB 251979355
11	8	188602626	Holder	New part ref TIB 251979356
11	9	251814439	Assembly shaft	Revised parts ref TIB 251979363
11	21	188480877	Roller	
11	22	251617207	Clutch	
12	1	188454033	Guide assy	
12	2	188454046	Fusing unit	
13	1	188454088	Power supply	
13	2	188454108	HT Card	
13	3	188454096	Print head assembly	
13	4	188478830	Mechanical controler board	
14	1	188230553	Power supply of duplex	

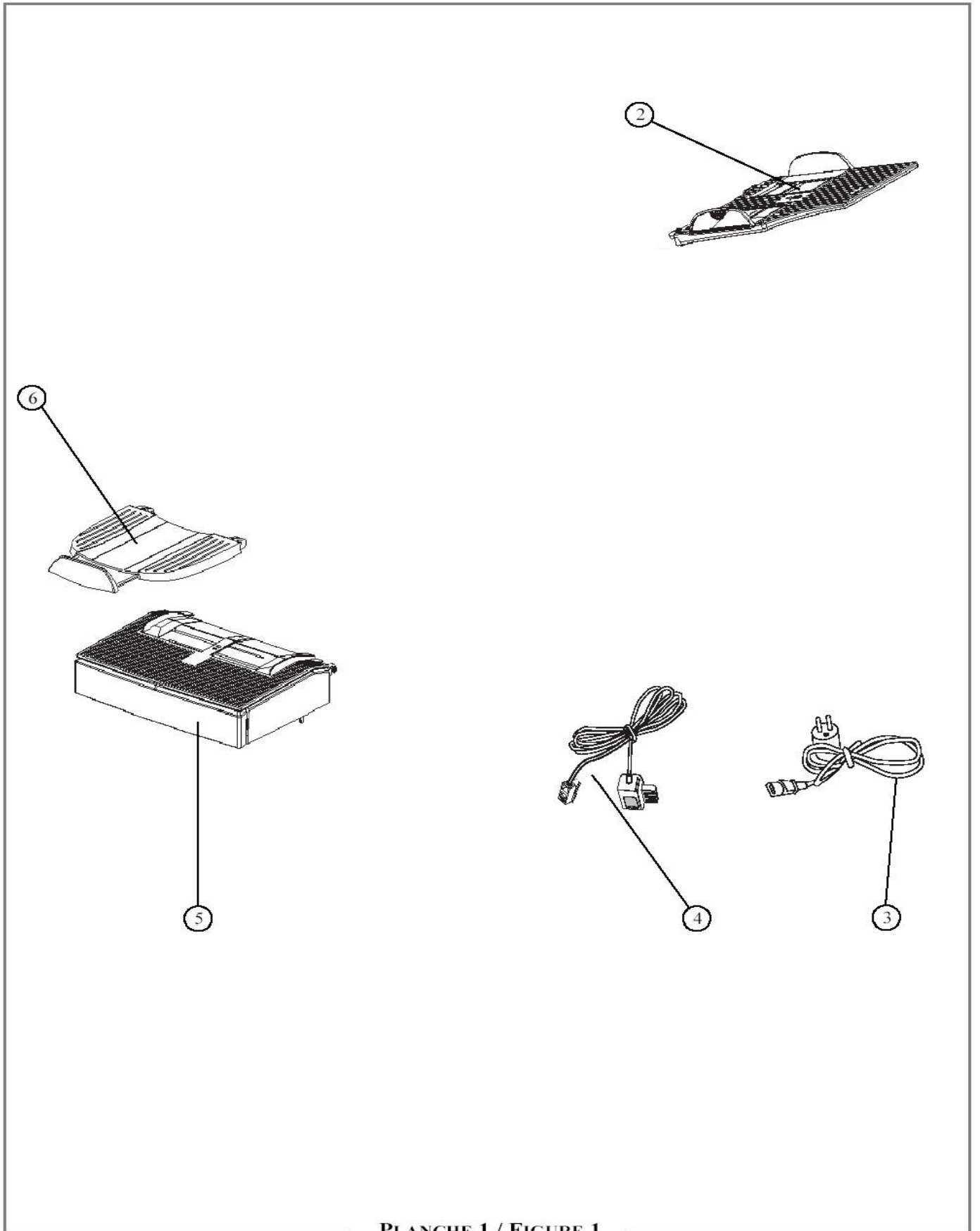


PLANCHE 1 / FIGURE 1

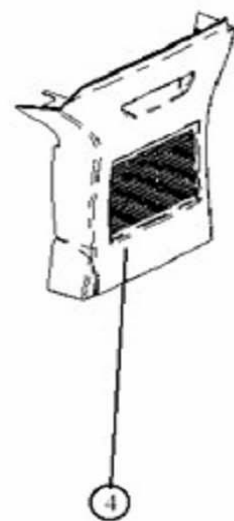
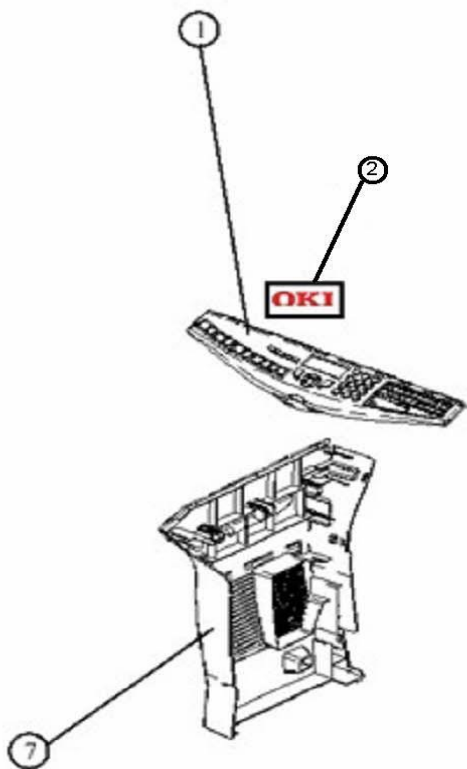


PLANCHE 2 / FIGURE 2

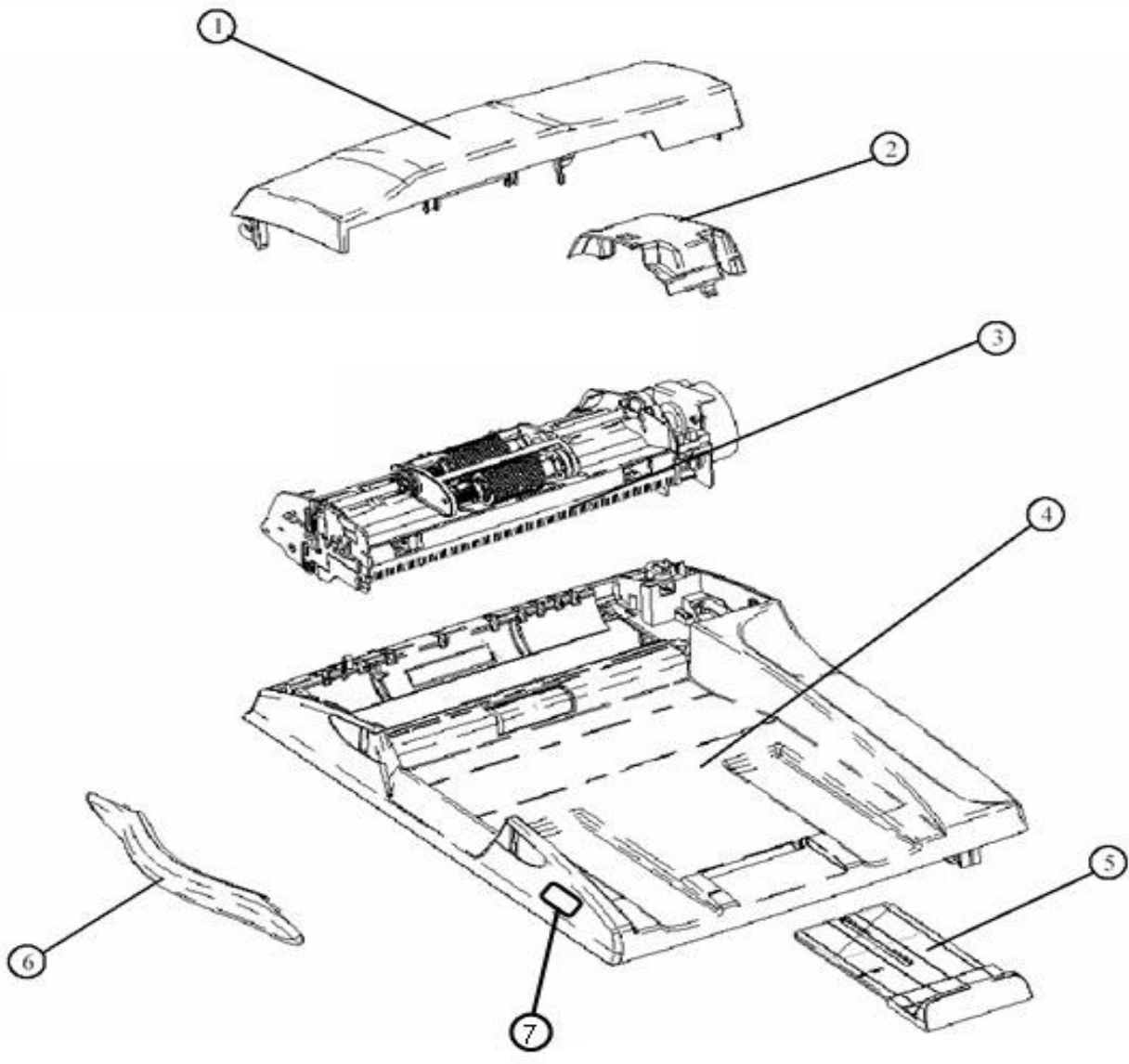


PLANCHE 3 / FIGURE 3

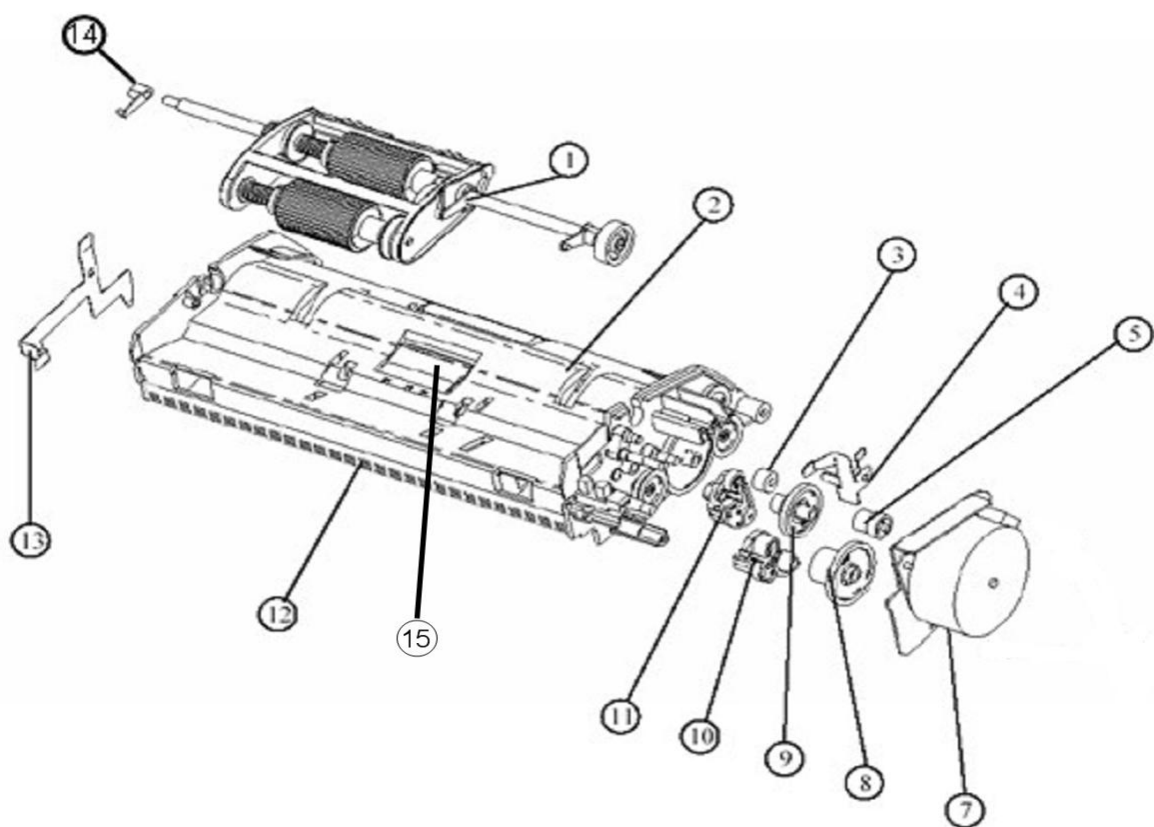


PLANCHE 4 / FIGURE 4

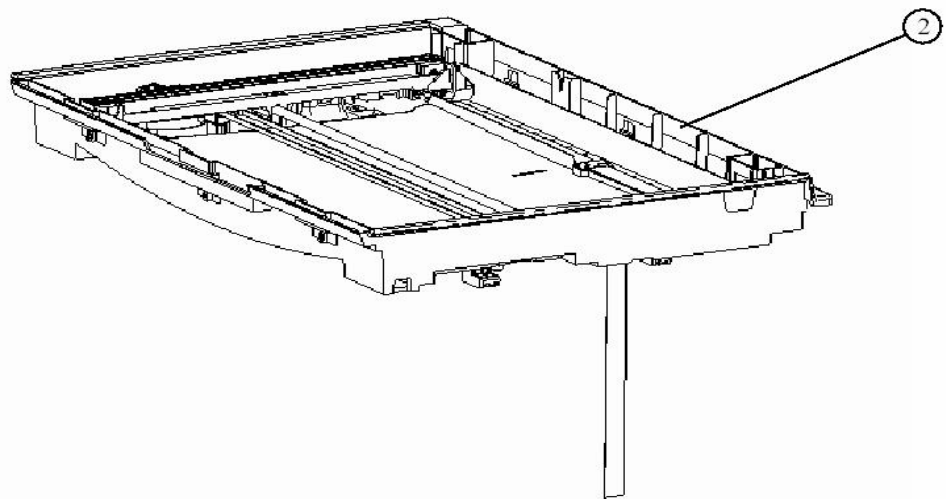
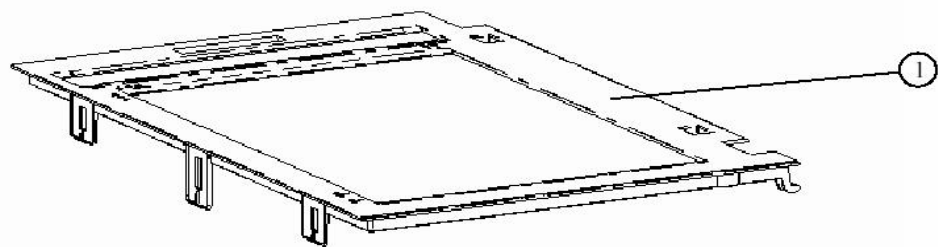


PLANCHE 5 / FIGURE 5

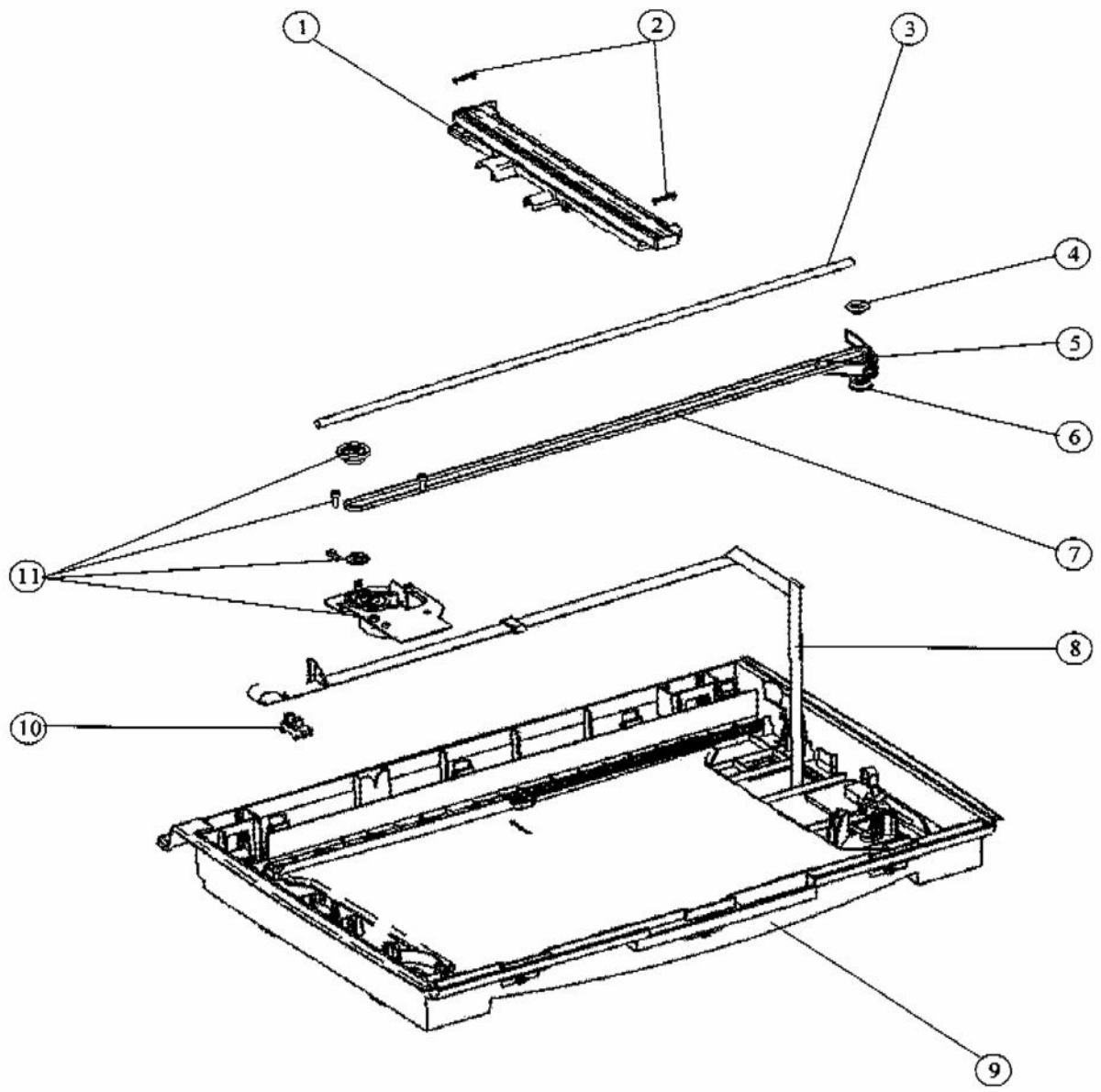


PLANCHE 6 / FIGURE 6



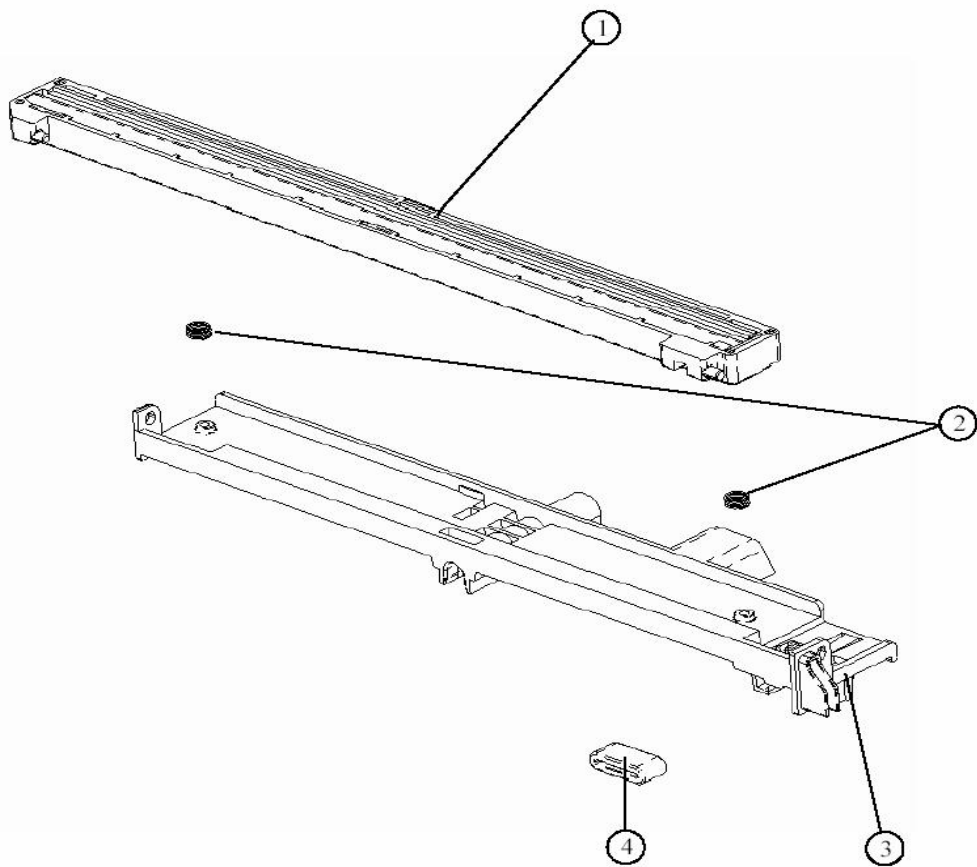


PLANCHE 7 / FIGURE 7

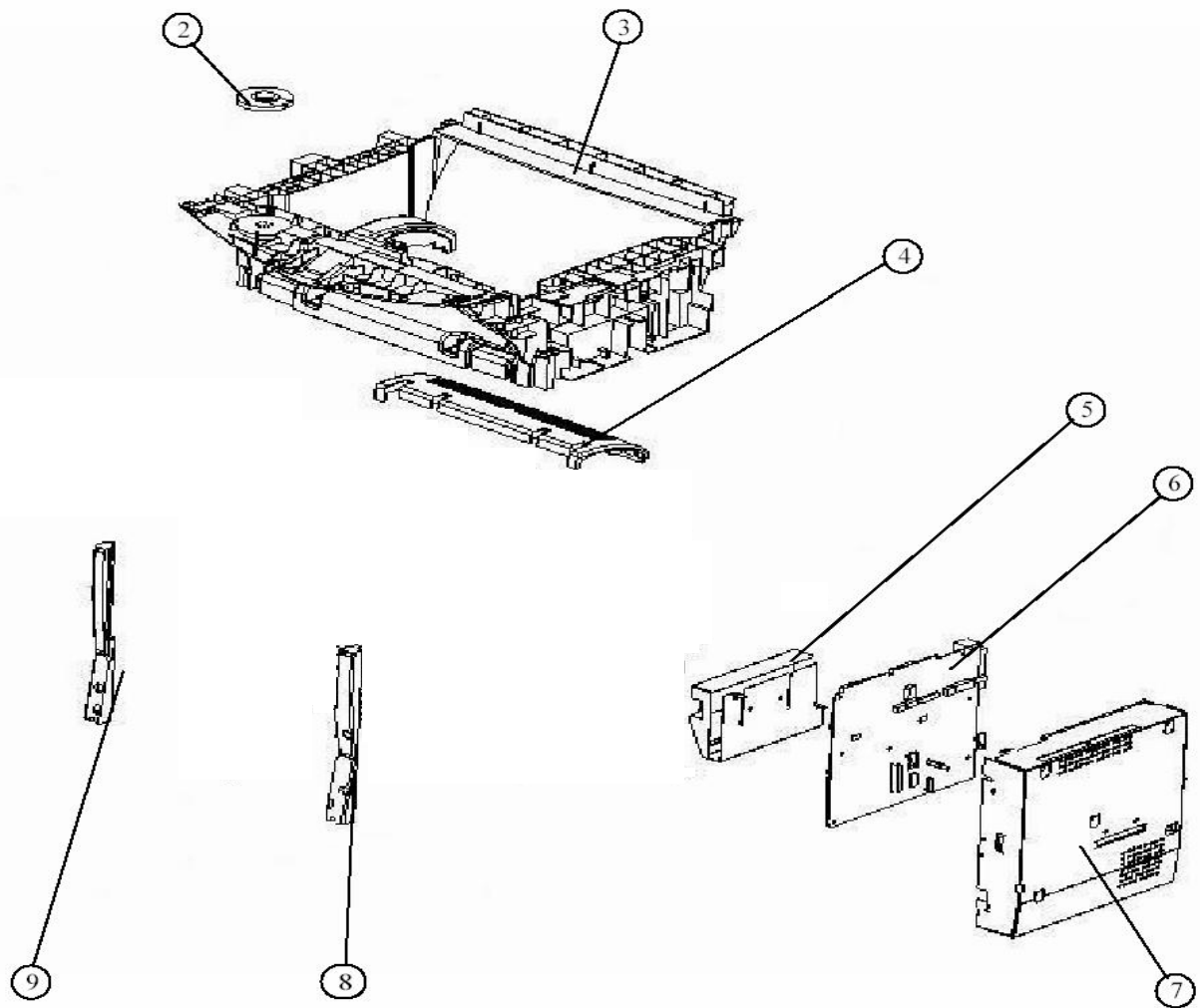


PLANCHE 8 / FIGURE 8

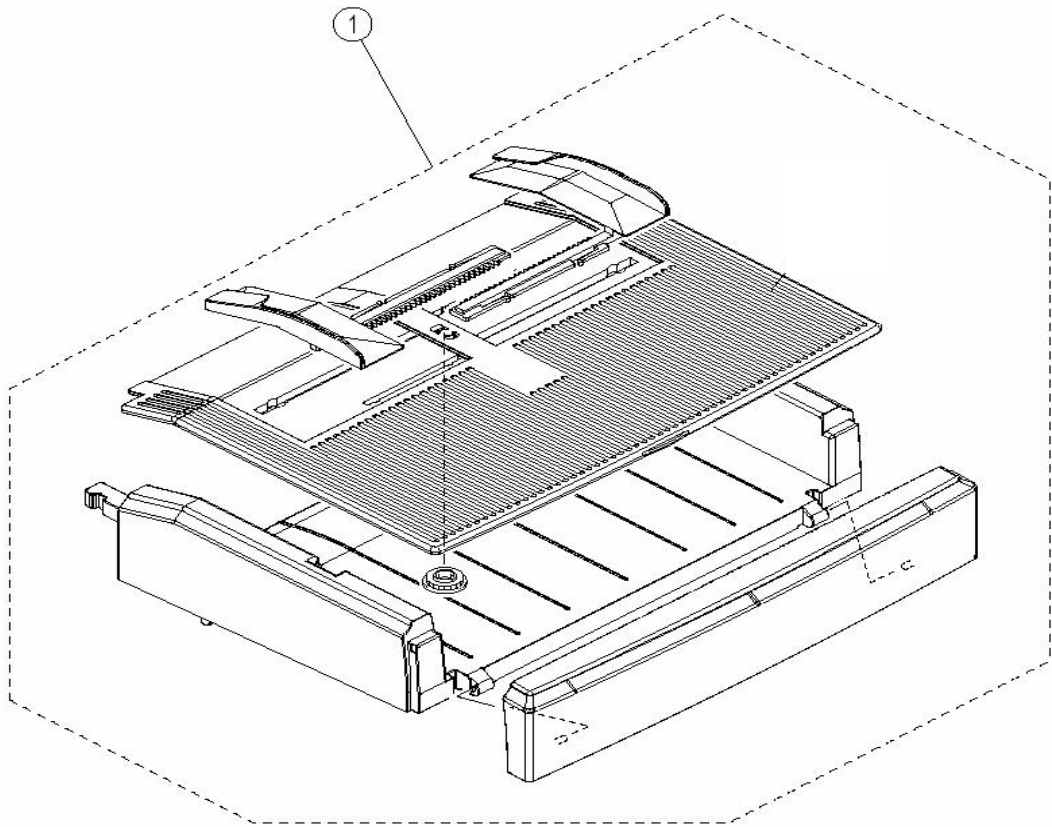


PLANCHE 9 / FIGURE 9

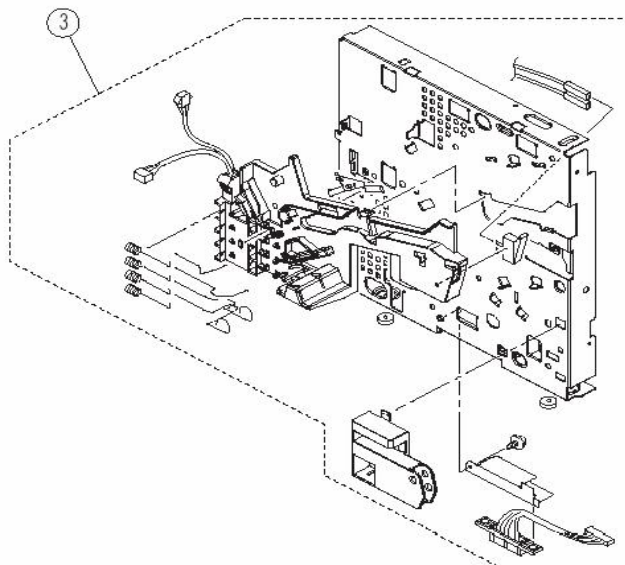
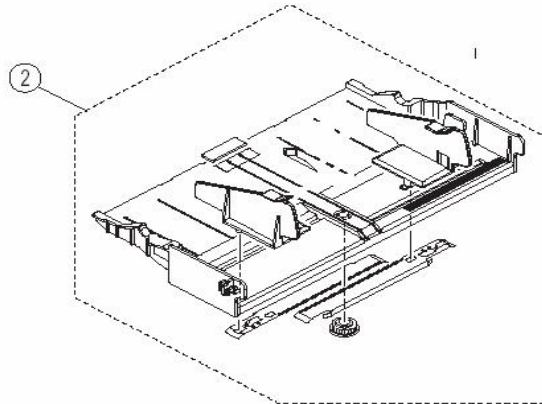
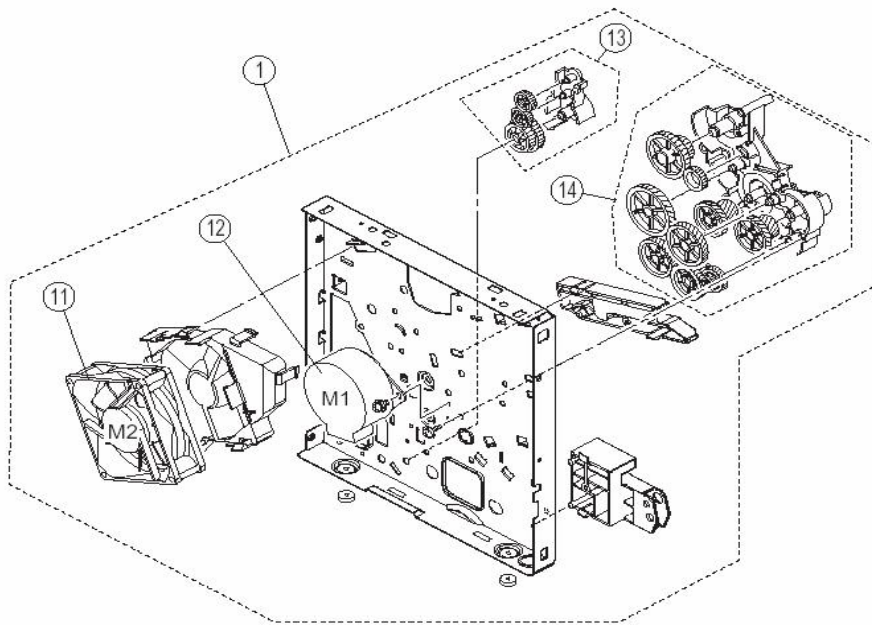


PLANCHE 10 / FIGURE 10

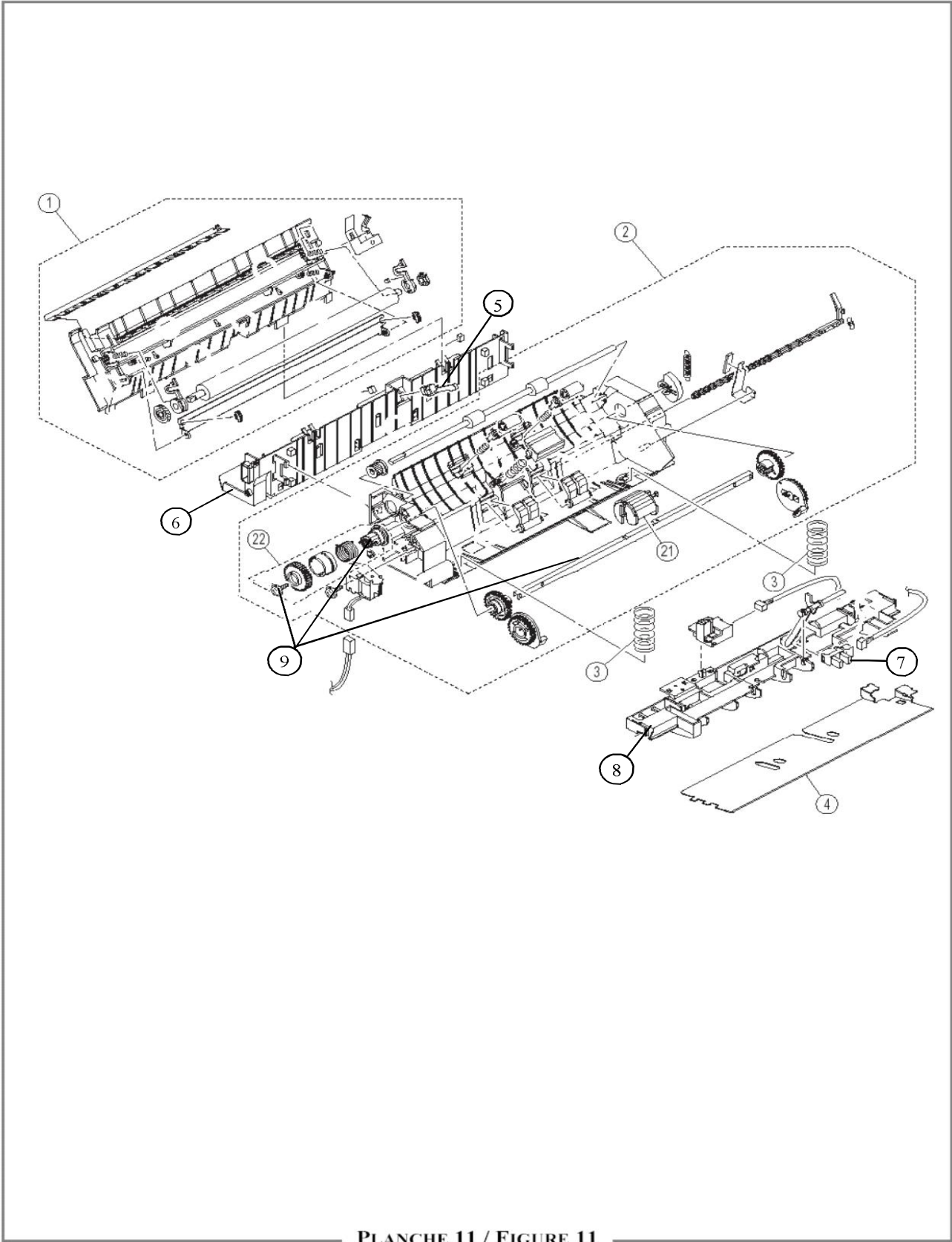


PLANCHE 11 / FIGURE 11

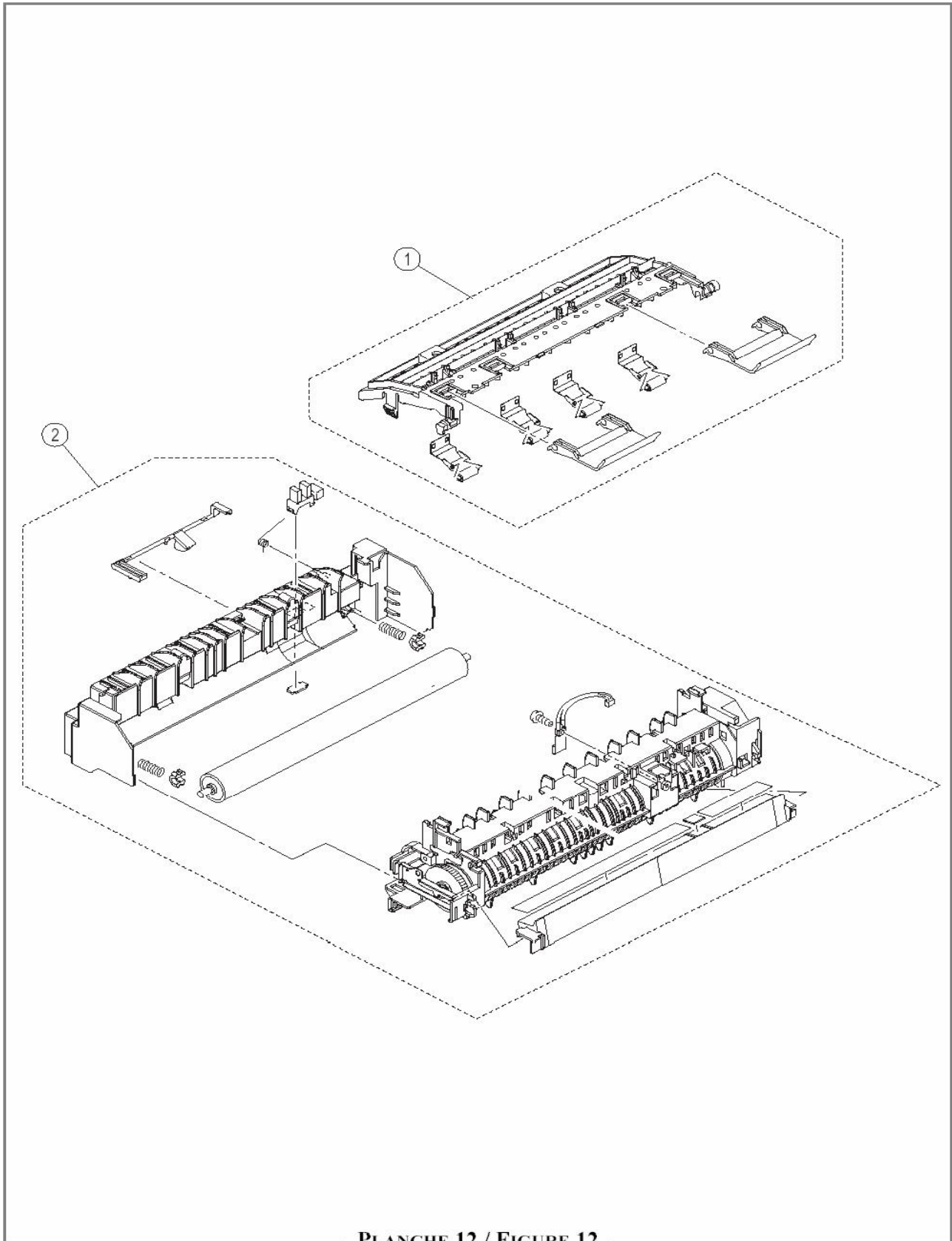


PLANCHE 12 / FIGURE 12

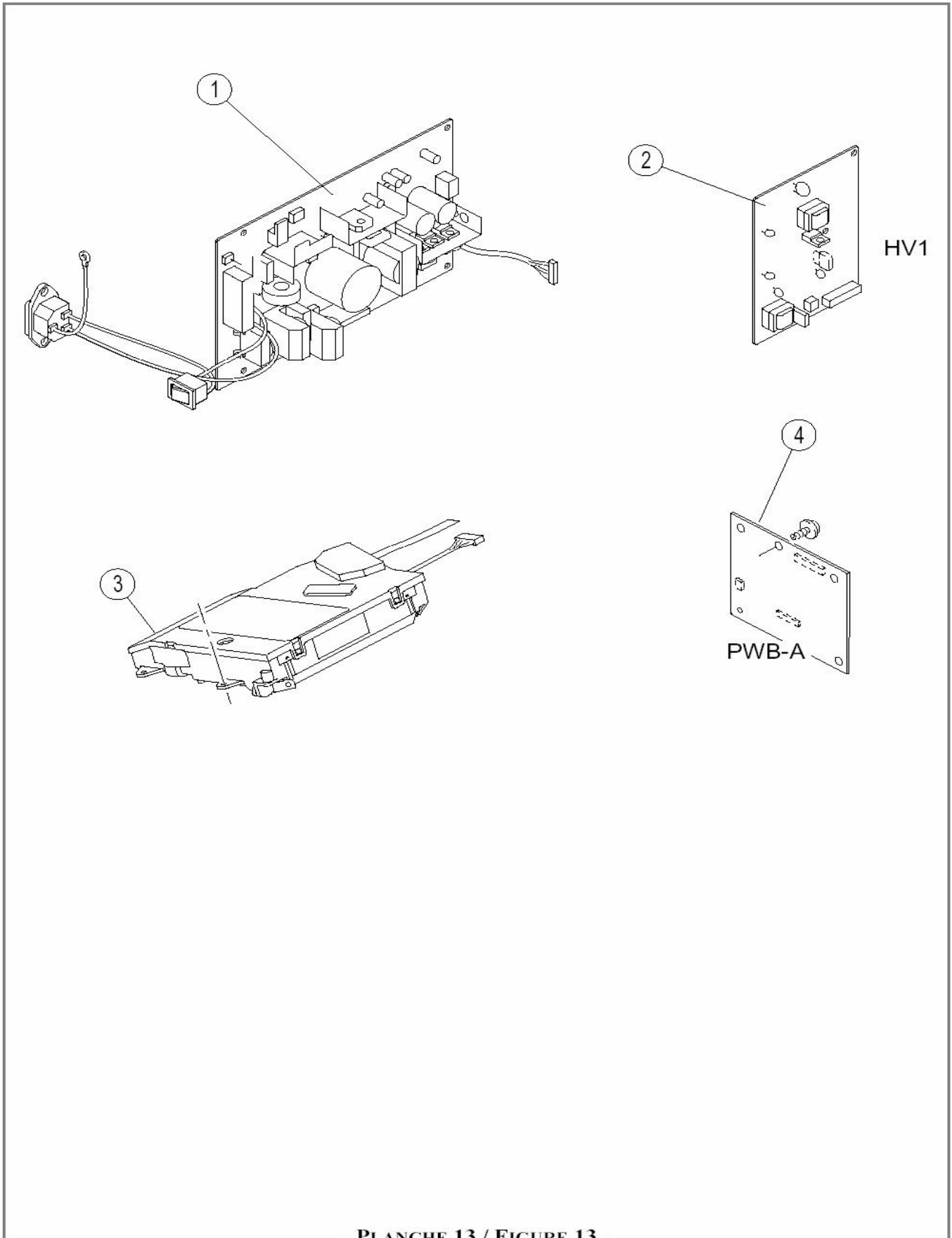


PLANCHE 13 / FIGURE 13

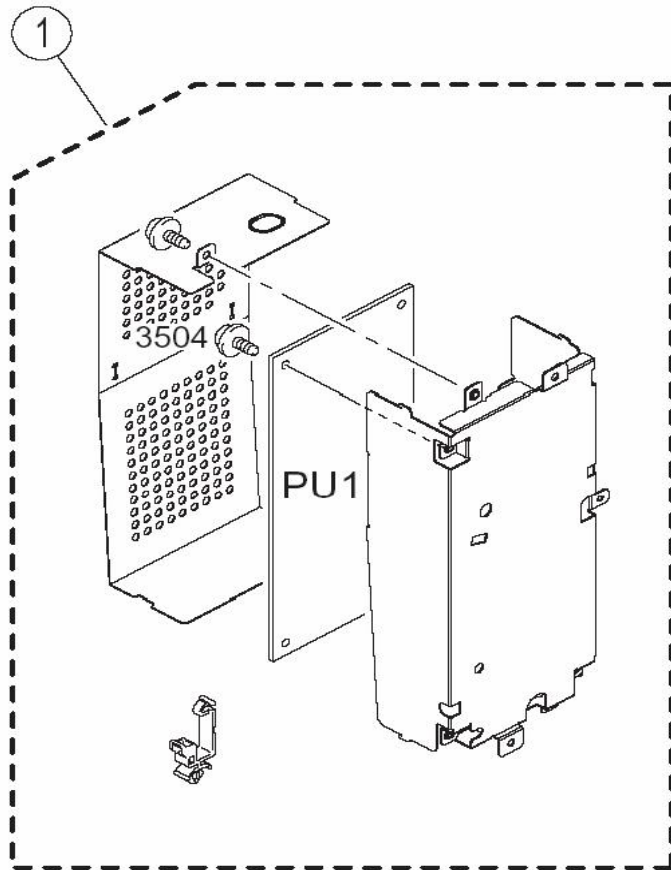


PLANCHE 14 / FIGURE 14